

## BIMETALLIC STEAM TRAPS AND AIR VENTS BM32 (1/2" to 1" – DN 15 to DN 25)

### DESCRIPTION

The BM32 series bimetallic steam traps and air vents are simple and robust traps, recommended for steam process applications where condensate sensible heat can be recovered, steam tracing lines, drip points, storage tank coils, steam air venting, etc. The use of condensate sensible heat reduces steam consumption.

### MAIN FEATURES

- Modulating discharge.
- Discharges condensate below steam temperature.
- Excellent air discharge.
- Operates on superheated steam.
- Unaffected by water hammer and vibrations.
- Built-in strainer.

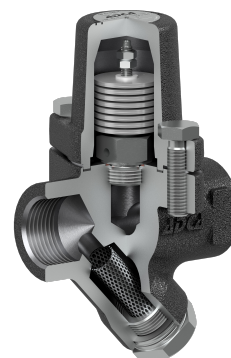
- OPTIONS: Blowdown valve.
- USE: Saturated and superheated steam.

AVAILABLE MODELS: BM32 – carbon steel.

SIZES: 1/2" to 1"; DN 15 to DN 25.

- CONNECTIONS: Female threaded ISO 7 Rp or NPT.  
Flanged EN 1092-1 PN 40.  
Flanged ASME B16.5 Class 150 or 300.  
Socket weld (SW) ASME B16.11.  
Butt weld (BW) ASME B16.25 on request.

INSTALLATION: Horizontal installation recommended, can be installed in any position.  
See IMI – Installation and maintenance instructions.



BODY LIMITING CONDITIONS		
FLANGED PN 40 / CLASS 300 *	FLANGED CLASS 150 **	RELATED TEMP.
ALLOWABLE PRESSURE	ALLOWABLE PRESSURE	
40 bar	19,3 bar	50 °C
35 bar	15,8 bar	150 °C
30,4 bar	12,1 bar	250 °C
27,6 bar	10,2 bar	300 °C

PMO – Maximum operating pressure: 32 bar.  
TMO – Maximum operating temperature: 300 °C.  
\* Acc. to EN 1092-1:2018. \*\* Acc. to EN 1759-1:2004.  
Body limiting conditions PN 40 or below, depending on the type of connection adopted. Rating PN 40 for threaded, SW and BW versions.

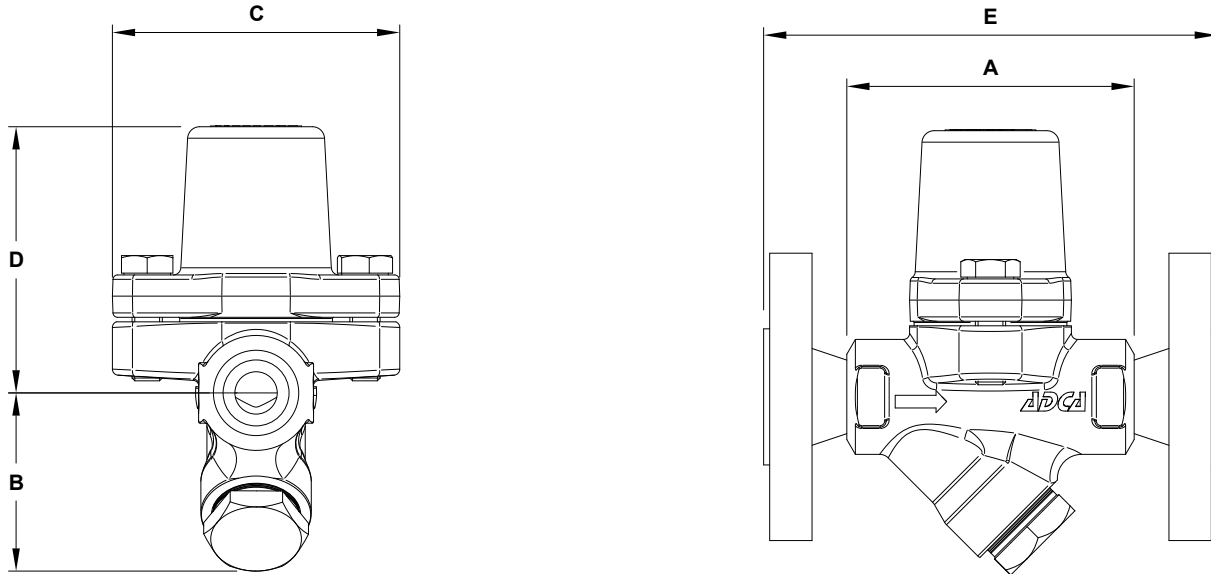
#### CE MARKING – GROUP 2 (PED – European Directive)

PN 40	Category
1/2" to 1" – DN 15 to 25	SEP

#### FLOW RATE CAPACITY (kg/h)

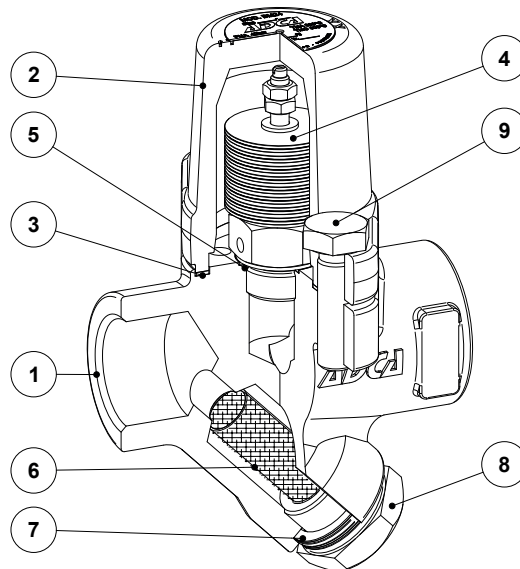
MODEL	SIZE	DIFFERENTIAL PRESSURE (bar)												
		0,5	1	2	4	6	10	12	14	16	18	20	25	32
BM32	1/2" to 1" A DN 15 to 25 A	200	300	390	430	510	580	600	620	660	680	700	740	810
BM32	1/2" to 1" B DN 15 to 25 B	700	1000	1300	1530	1750	2050	2150	2250	2360	2480	2550	2750	2900

A: Condensate discharge at 10 °C below saturation temperature; B: Cold water capacity around 20 °C.



**DIMENSIONS (mm)**

SIZE	THREADED / SW				PN 40		CLASS 150		CLASS 300		
	A	B	C	D	WEIGHT (kg)	E	WEIGHT (kg)	E	WEIGHT (kg)	E	WEIGHT (kg)
1/2" – DN 15	95	59	95	90	2,1	150	3,7	150	3,2	150	4
3/4" – DN 20	95	59	95	90	2,1	150	4,5	150	3,7	150	5,3
1" – DN 25	95	65	95	90	2,1	160	4,9	160	4,5	160	6,1



**MATERIALS**

POS. N°	DESIGNATION	MATERIAL	POS. N°	DESIGNATION	MATERIAL
1	Body	P250GH / 1.0460	6	* Strainer screen	AISI 304 / 1.4301
2	Cover	P250GH / 1.0460	7	* Strainer gasket	Stainless steel / Graphite
3	* Gasket	Stainless steel / Graphite	8	* Strainer cover	A105 / 1.0432
4	* Bimetallic regulator	Corrosion resistant bimetal; Stainless steel	9	Bolts	Stainless steel A2-70
5	* Seat gasket	Copper			

\* Available spare parts.