

## BIMETALLIC STEAM TRAPS AND AIR VENTS BM88

### DESCRIPTION

The BM88 is a series of robust and efficient bimetallic steam traps and air vents. These steam traps are recommended for steam process applications where sensible heat can be recovered, such as steam tracing lines, drip points, storage tank coils and steam air venting. Specially designed for draining high pressure superheated steam lines and processes.

### MAIN FEATURES

- Modulating discharge.
- Discharges condensate below steam temperature.
- Excellent air discharge.
- Operates on superheated steam.
- Unaffected by water hammer and vibrations.
- Built-in strainer.

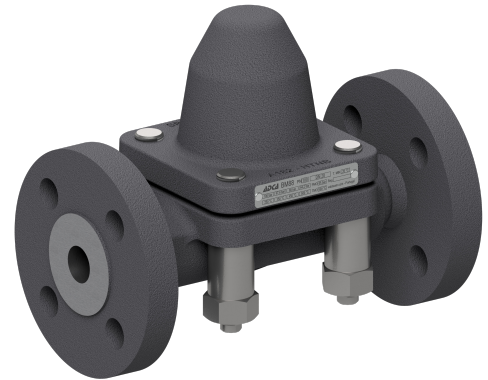
USE: Saturated and superheated steam.

AVAILABLE MODELS: BM88 – carbon steel.

SIZES: 1/2" to 1"; DN 15 to DN 25.

CONNECTIONS: Female threaded ISO 7 Rp or NPT.  
Flanged EN 1092-1 PN 100.  
Flanged ASME B16.5 Class 600.  
Socket weld (SW) ASME B16.11.  
Butt weld (BW) ASME B16.25.

INSTALLATION: Inline horizontal installation is recommended.  
See IMI – Installation and maintenance instructions.



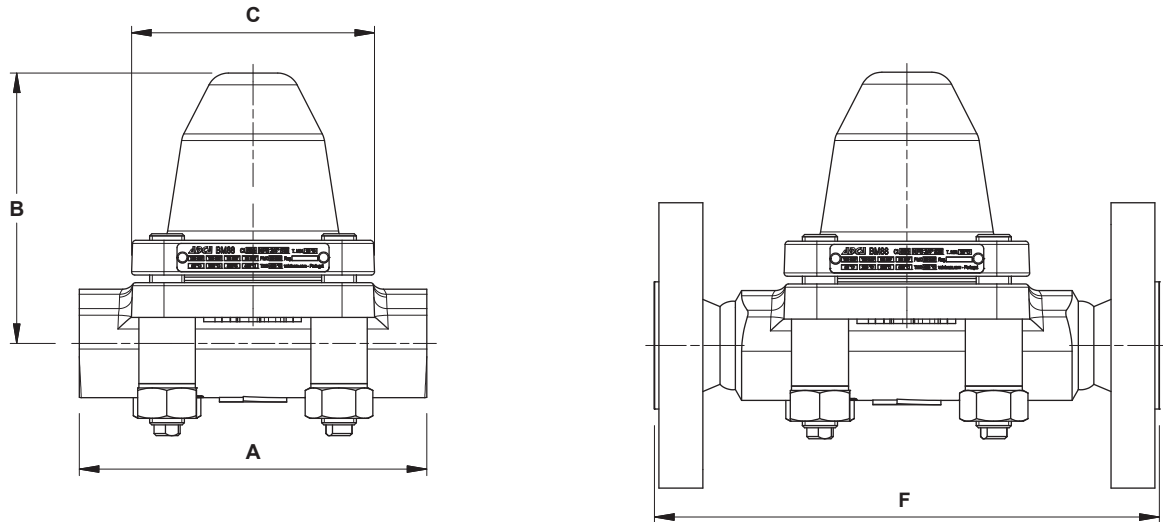
CE MARKING – GROUP 2 (PED – European Directive)	
PN 100	Category
1/2" to 1" – DN 15 to 25	SEP

BODY LIMITING CONDITIONS		
FLANGED PN 100 *	FLANGED CLASS 600 **	RELATED TEMP.
ALLOWABLE PRESSURE	ALLOWABLE PRESSURE	
100 bar	92,7 bar	250 °C
97,6 bar	80,4 bar	350 °C
88 bar	67,7 bar	450 °C
64,2 bar	55,7 bar	500 °C

PMO – Maximum operating pressure: 85 bar.  
TMO – Maximum operating temperature: 500 °C.  
\* Acc. to EN 1092-1:2018. \*\* Acc. to EN 1759-1:2004.  
Body limiting conditions PN 100 or below, depending on the type of connection adopted. Rating PN 100 for threaded, SW and BW versions.

FLOW RATE CAPACITY (kg/h)														
MODEL	SIZE	DIFFERENTIAL PRESSURE (bar)												
		4	6	8	10	15	20	25	30	40	50	60	70	85
BM88	1/2" to 1" A DN 15 to 25 A	360	420	490	510	600	650	700	710	790	810	850	900	910
BM88	1/2" to 1" B DN 15 to 25 B	1500	1750	2000	2200	2700	3000	3300	3600	4000	4500	4900	5300	5800

A: Condensate discharge at 10 °C below saturation temperature; B: Cold water capacity around 20 °C.



DIMENSIONS (mm)								
SIZE	THREADED / SW / BW *				PN 100		CLASS 600	
	A	B	C	WEIGHT (kg)	F **	WEIGHT (kg)	F **	WEIGHT (kg)
1/2" – DN 15	160	125	112	6,3	210	7,4	230	7,2
3/4" – DN 20	160	125	112	6,2	230	8,4	230	7,7
1" – DN 25	160	125	112	6,1	230	9,1	230	8,1

\* In case of BW connections please indicate pipe dimensions when ordering. Body limiting conditions may be restricted by the BW end wall thickness. Consult the manufacturer.

\*\* Different face to face dimensions on request.

MATERIALS		
POS. N°	DESIGNATION	MATERIAL
1	Body	A182F22 / 1.7380 (Equiv. 10CrMo910)
2	Cover	A182F22 / 1.7380 (Equiv. 10CrMo910)
3	* Gasket	Stainless steel / Graphite
4	* Bimetallic regulator	Corrosion resistant bimetal; Stainless steel
5	* Strainer screen	AISI 304 / 1.4301
6	Studs	A193 Gr. B16
7	Nuts	A194 Gr. 4
8	Extension sleeves	A193 Gr. B16

\* Available spare parts.

