

HYGIENIC STEAM FILTER ISH10i

DESCRIPTION

The ISH10i high efficiency filters are used to remove contaminated particles from gases such as steam and compressed air. The optimized construction of these units offers low differential pressure at high flow rates.

All sizes are built in two halves and are joined by a sanitary clamp ferrule according to DIN 32676 Series A.

The replaceable filter elements are made of sintered austenitic stainless steel and available with 1, 5 or 25 micron absolute rating.

MAIN FEATURES

Several retention rates available.

Good durability against aggressive gases.

Porosity level is more than 50% ensuring high particle and dirt load capacity as well as good flow rate at a low differential pressure.

Regeneration by ultrasonic cleaning.

STANDARD SURFACE FINISH

Internal wetted parts: $\leq 0,51$ micron Ra – SF1.

External: $\leq 0,76$ micron Ra – SF3.

Other surface conditions see IS PV20.00 E – Technical information.

Ultrasonic cleaning.

OPTIONS: Air vent and condensate drain connections.
Other connections and dimensions.
Vertical installation design (ISV10i).

USE: Steam, compressed air and other gases.

AVAILABLE MODELS: ISH10i.

RETENTION RATES: 1, 5 and 25 micron.

SIZES: 1/2" to 2"; DN 10 to DN 50.

CONNECTIONS: ASME BPE, DIN and ISO clamp ferrules.
Others on request.

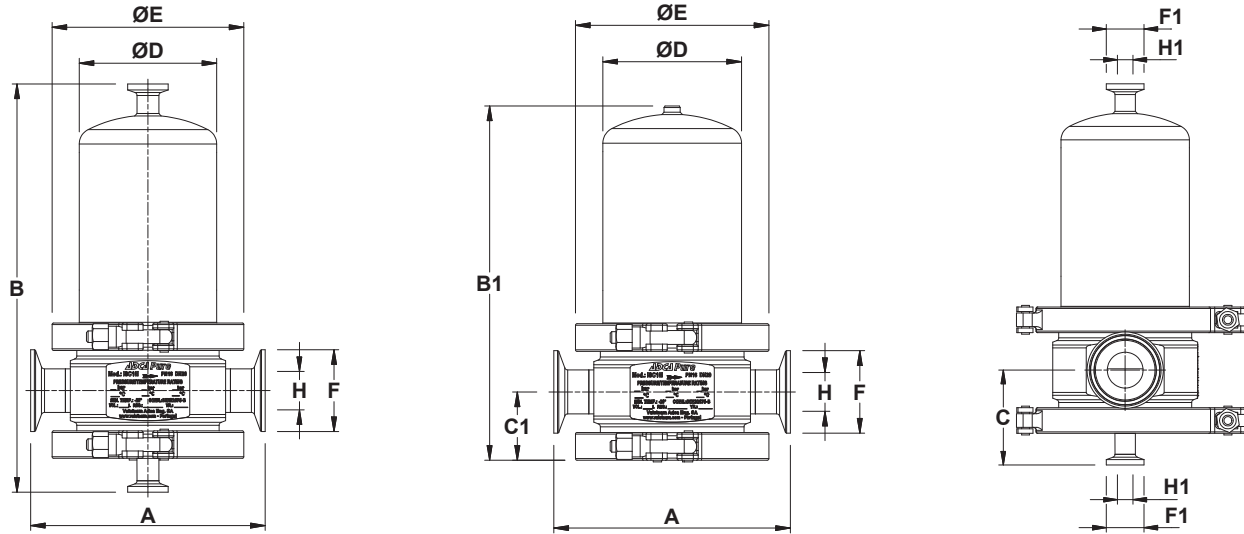
INSTALLATION: Horizontal installation always with the drain connection pointing downwards.
See IMI – Installation and maintenance instructions.



ISV10i – Vertical inlet/outlet

CE MARKING – GROUP 2 (PED – European Directive)

Ps 16 bar	Category
1/4" to 2"L – DN 10 to DN 50L	SEP
2"H – DN 50H	1 (CE marked)



DIMENSIONS – ASME BPE (mm)

SIZE *	A	B	B1	C	C1	D	E	F	F1	H	H1	ISFE SIZE	ISFE QTY.	VOL. (L)	WGT. (kg)
1/2"	140	204	154	55	34	70	104	25	25	9,4	9,4	0310	1	0,31	3,3
3/4"	140	237	187	58	37	70	104	25	25	15,75	9,4	0420	1	0,37	3,6
1"	159	272	222	63	42	85	119	50,5	25	22,1	9,4	0520	1	0,84	5,3
1 1/2"	161	339	288	70	49	85	119	50,5	25	34,8	9,4	0725	1	1,22	6,3
2"L	174	418	369	73	52	104	134	64	25	47,5	9,4	1030	1	2,15	7,9
2"H	174	545	496	73	52	104	134	64	25	47,5	9,4	1530	1	3,56	8,7

DIMENSIONS – DIN (mm)

SIZE *	A	B	B1	C	C1	D	E	F	F1	H	H1	ISFE SIZE	ISFE QTY.	VOL. (L)	WGT. (kg)
DN 10	140	204	154	55	34	70	104	34	34	10	10	0310	1	0,31	3,4
DN 15	140	237	187	58	37	70	104	34	34	16	10	0420	1	0,37	3,7
DN 20	159	272	222	63	42	85	119	34	34	20	10	0520	1	0,8	5,2
DN 25	174	272	222	63	42	85	119	50,5	34	26	10	0525	1	0,81	5,2
DN 32	176	344	295	70	49	85	119	50,5	34	32	10	0725	1	1,19	6,4
DN 40	189	344	295	73	52	104	134	50,5	34	38	10	0730	1	1,64	7,6
DN 50L	189	418	369	73	52	104	134	64	34	50	10	1030	1	2,32	7,8
DN 50H	189	545	496	73	52	104	134	64	34	50	10	1530	1	3,64	8,6

Remark: Clamp ferrules according to DIN 32676-A (for pipes DIN 11866-A – DIN 11850-2).

DIMENSIONS – ISO (mm)

SIZE *	A	B	B1	C	C1	D	E	F	F1	H	H1	ISFE SIZE	ISFE QTY.	VOL. (L)	WGT. (kg)
DN 08	140	204	155	55	34	70	104	25	25	10,3	10,3	0310	1	0,35	3,3
DN 10	140	237	187	55	34	70	104	25	25	14	10,3	0410	1	0,45	3,5
DN 15	140	242	192	58	37	70	104	50,5	25	18,1	10,3	0420	1	0,46	3,7
DN 20	145	272	222	63	42	85	119	50,5	25	23,7	10,3	0520	1	0,85	5,1
DN 25	145	282	232	63	42	85	119	50,5	25	29,7	10,3	0525	1	0,89	5,1
DN 32	147	344	294	70	49	85	119	64	25	38,4	10,3	0725	1	1,26	6,3
DN 40	160	344	295	73	52	104	134	64	25	44,3	10,3	0730	1	1,95	7,6
DN 50L	173	433	384	78	57	104	134	77,5	25	56,3	10,3	1030	1	2,69	8,4
DN 50H	173	560	511	78	57	104	134	77,5	25	56,3	10,3	1530	1	3,71	9,2

* Suffix L corresponds to low capacity design; suffix H corresponds to high capacity design.

Remarks: clamp ferrules according to DIN 32676-B (for pipes DIN 11866-B – ISO 1127).

Other sizes on request.

LIMITING CONDITIONS		
Maximum allowable pressure	16 bar	
Maximum allowable temperature	200 °C	
Minimum allowable temperature	-20 °C	
Maximum operating temperature	EPM or EPDM filter element seals	150 °C
	EPM or EPDM filter element seals (steam)	180 °C
	Fluoraz [®] filter element seals	200 °C
Minimum operating temperature	0 °C	
Maximum cold hydraulic test pressure	28 bar	
Maximum differential pressure	5 bar	

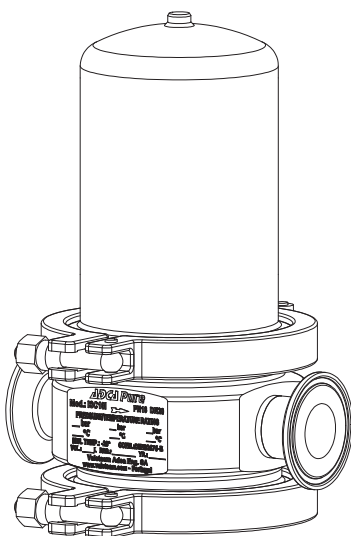
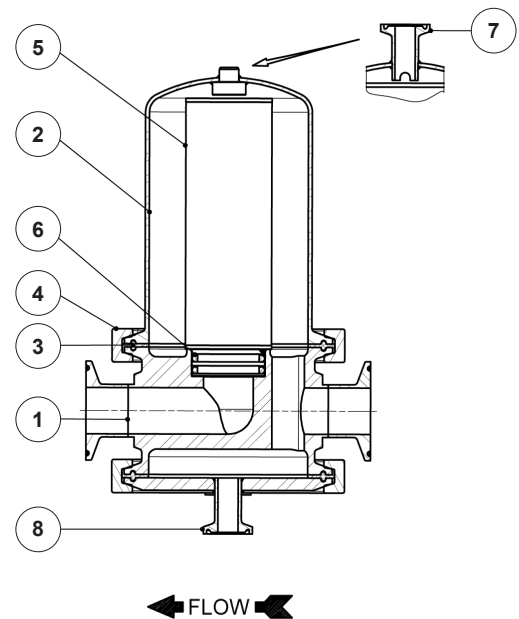
Remark: maximum recommended pressure drop of 0,07 bar.

MATERIALS		
POS. N°	DESIGNATION	MATERIAL
1	Filter housing	AISI 316L / 1.4404
2	Filter housing cover	AISI 316L / 1.4404
3	* Seal	PTFE / FKM
4	Safety clamp	AISI 316 / 1.4401
5	* Filter element	Sintered AISI 316L
	Filter end caps	AISI 304 / 1.4301
6	* Filter seal o-rings	EPDM; EPM; Fluoraz [®]
7	Air vent connection	AISI 316L / 1.4404
8	Drain connection	AISI 316L / 1.4404

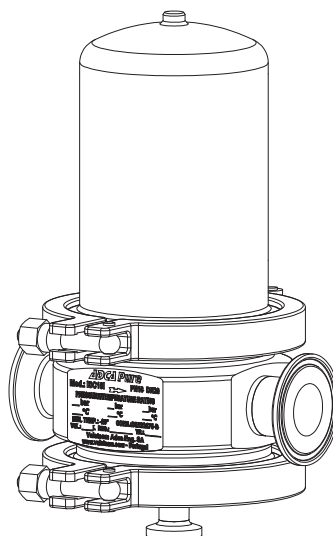
* Available spare parts.

FDA / USP Class VI seals certificate on request.

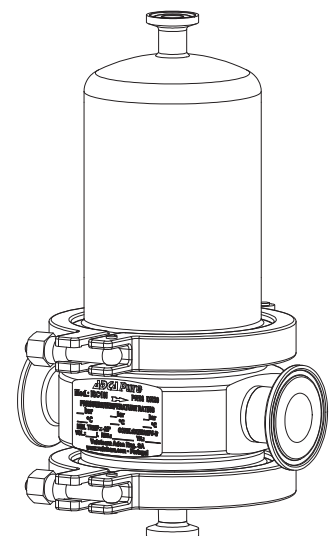
All filters have a serial number. In case of non-standard filters this number must be supplied if spare parts are ordered.



Filter without bottom drain or top vent connections



Filter with bottom drain connection for clean steam applications



Filter with air vent and bottom drain connections

ORDERING CODES – ISH10i FILTER HOUSING								
Filter model	ISH10I	.	T	D	X	.	08	
ISH10i – AISI 316L / 1.4404 filter housing	ISH10I							
Housing seal material								
PTFE / FKM			T					
Pipe connection								
Clamp ferrule ASME BPE					D			
Clamp ferrule DIN (DIN 32676-A)					F			
Clamp ferrule ISO (DIN 32676-B)					E			
Optional connections								
Without vent or drain connection						X		
With condensate drain						1		
With condensate drain and vent						2		
Size								
1/4" or DN 08								08
3/8" or DN 10								10
1/2" or DN 15								15
...								...
2"L or DN 50L								50L
2"H or DN 50H								50H
Special / Extras								
Full description or additional codes have to be added in case of non-standard combination								E

ORDERING CODES – FILTER ELEMENT								
Filter element model	ISFE	.	X	0310	.	01		
ISFE – AISI 316L / 1.4404 filter element	ISFE							
Filter seal o-rings								
Without o-rings			X					
EPDM			E					
EPM			P					
Fluoraz®			F					
Filter element size according to housing connections								
1/2" ASME BPE	DN 10 DIN	DN 08 ISO		0310				
–	–	DN 10 ISO		0410				
3/4" ASME BPE	DN 15 DIN	DN 15 ISO		0420				
1" ASME BPE	DN 20 DIN	DN 20 ISO		0520				
–	DN 25 DIN	DN 25 ISO		0525				
1 1/2" ASME BPE	DN 32 DIN	DN 32 ISO		0725				
–	DN 40 DIN	DN 40 ISO		0730				
2"L ASME BPE	DN 50L DIN	DN 50L ISO		1030				
2"H ASME BPE	DN 50H DIN	DN 50H ISO		1530				
Retention rate								
1 micron								01
5 micron								05
25 micron								25
Special / Extras								
Full description or additional codes have to be added in case of non-standard combination								E

Order example:

1 ADCAPure filter housing ISH10I with PTFE seals and clamp ferrules ASME BPE 2"L – Code: ISH10I.TDX.50L

1 ISFE filter element with 5 micron retention rate for the above mentioned filter – Code: ISFE.P1030.05

Remark: we recommend a second filter element set as a spare part to ensure minimum downtime when replacing the one in use after saturation.