

FLOAT AND THERMOSTATIC STEAM TRAPS FLT151

DESCRIPTION

The FLT151 is a series of high capacity float and thermostatic steam traps with integral air vent, designed for modulating discharge of condensate to ensure maximum system heat transfer.

Specially designed for applications where continuous drainage is essential and extremely high loads are involved, such as those found in sugar and alcohol refineries.

MAIN FEATURES

- High capacity.
- Modulating discharge of condensate at steam temperature.
- Unaffected by sudden or wide load and pressure variations.
- No backing-up with condensate.
- Excellent air discharge through its integrated thermostatic air vent.

- OPTIONS:
- Level gauge.
 - HVV – Hand vent valve.
 - VB21M – Vacuum breaker.

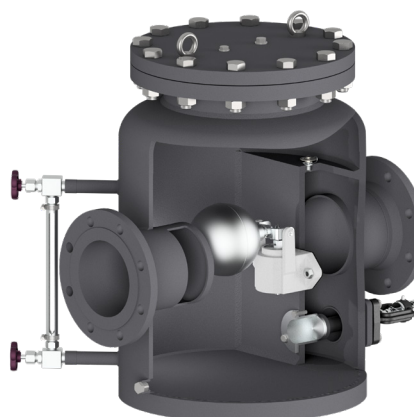
- USE: Saturated steam.

- AVAILABLE MODELS: FLT151S-O – carbon steel.

- SIZES: 4" and 6"; DN 100 and DN 150.

- CONNECTIONS: Flanged EN 1092-1 PN 16.
Flanged ASME B16.5 Class 150.

- INSTALLATION: Horizontal installation.
See IMI – Installation and maintenance instructions.



CE MARKING – GROUP 2 (PED – European Directive)

PN 16	Category
4" and 6" – DN 100 and 150	3 (CE marked)

FLOW RATE CAPACITY WITH MECHANISM AND ORIFICE (kg/h)

MODEL	ORIFICE N° ΔP (bar)	O1	O2	O3	O4	O5	O6	MAXIMUM ΔQ
		4" – DN 100				6" – DN 150		
FLT151S-O	0,1	22300	24100	26600	33700	43600	56400	18800
	0,3	27400	30300	34200	45400	61200	81400	22700
	0,7	32200	36200	41800	57700	79900	108600	26200
	1	34700	39500	46500	65800	93100	128100	27700
	1,4	37000	42600	50500	72900	104400	144900	29200
	2	40700	47600	57200	84800	144900	172900	31700

Example: One FLT151-O DN150-O5 (with orifice n° 5), operating at a D.P. of 0,3 bar, must have a minimum flow of 38500 kg/h (61200-22700).

FLOW RATE CAPACITY WITH MECHANISM ONLY (kg/h)

MODEL	SIZE	DIFFERENTIAL PRESSURE (bar)															
		0,1	0,3	0,5	1	1,5	2	2,5	3	3,5	4	5	6	7	8	10	12
FLT151S-O	4" and 6" DN 100 and 150	18800	22700	24500	29000	31000	34000	37000	38000	39500	42000	43500	45500	47000	48000	49500	50000

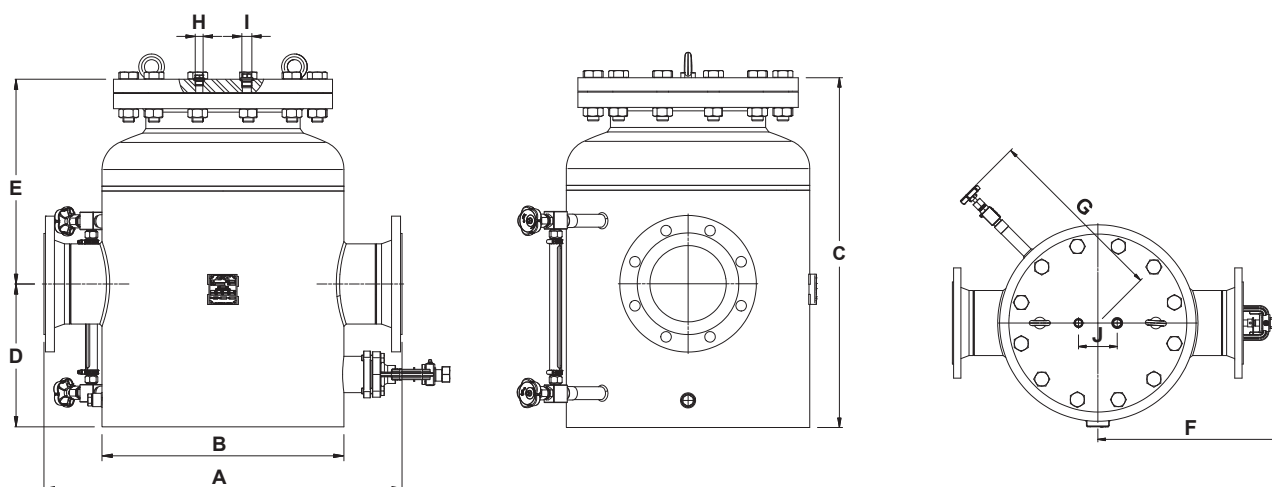
BODY LIMITING CONDITIONS *

FLANGED PN 16 / CLASS 150	RELATED TEMPERATURE
ALLOWABLE PRESSURE	
16 bar	50 °C
14,8 bar	100 °C
13,3 bar	200 °C
12,1 bar	250 °C

PMO – Maximum operating pressure: 12 bar.

TMO – Maximum operating temperature: 250 °C.

* According to EN 1092-1:2018.



DIMENSIONS (mm)

SIZE	A PN 16	A CLASS 150	B	C	D	E	F	G	H *	I *	J	WEIGHT (kg)
4" – DN 100	694	743	457	685	275	410	451	450	3/8"	1/2"	100	170
6" – DN 150	752	820	508	730	300	430	476	475	3/8"	1/2"	100	202

* As standard, in versions with EN flanges, these connections are female threaded ISO 228. In versions with ASME flanges, these connections are female threaded NPT.

MATERIALS		
POS. N°	DESIGNATION	MATERIAL
1	Body	P265GH / 1.0425; P235GH / 1.0345; S235JR / 1.0038; A105 / 1.0432
2	Cover	P250GH / 1.0460
3	* Gasket	Stainless steel / Graphite
4	* Seat	A351 CF8 / 1.4308
5	* Gasket	Graphite
6	* Valve	AISI 420 / 1.4021; A351 CF8M / 1.4408
7	* Lever	AISI 316 / 1.4401; AISI 304 / 1.4301
8	* Float	AISI 304 / 1.4301
9	* Automatic air vent	Stainless steel (thermostatic)
10	Bolts	Steel 8.8
10A	Nuts	Steel 8.8
11	Plug	AISI 316L / 1.4404
12	** Gasket	Copper
13	Level gauges	Stainless steel; Borosilicate glass
14	By-pass valve	GJS-400-15 / 0.7040; AISI 304 / 1.4301; AISI 316 / 1.4401
41	Hand vent valve	AISI 303 / 1.4305; AISI 316L / 1.4404
71	Vacuum breaker	AISI 303 / 1.4305

* Available spare parts; ** Not applicable in NPT version.

