

INVERTED BUCKET STEAM TRAPS IB36S

DESCRIPTION

The IB36S is a series of robust and versatile inverted bucket steam traps manufactured in carbon steel.

These steam traps operate intermittently, and are suitable for use with low to high pressure saturated or superheated steam.

Typical applications include drip points, steam tracing lines, dryers, chemical and laundry equipment.

MAIN FEATURES

- Intermittent discharge.
- Discharges condensate at steam temperature.
- Unaffected by water hammer and vibrations.
- Robust and versatile.
- Easy to maintain.

OPTIONS: Cover connection with plug (mandatory if any of the below options are considered).
BDV – Blowdown valve.
AFZ – Anti-freeze device.

USE: Saturated and superheated steam.

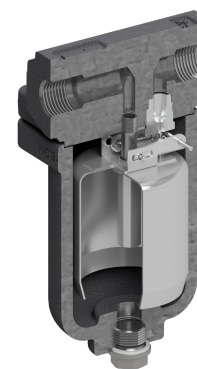
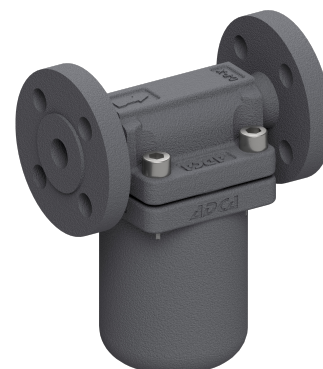
AVAILABLE MODELS: IB36S-5, 10, 15, 30 and 40 – carbon steel.

SIZES: 1/2" to 1"; DN 15 to DN 25.

CONNECTIONS: Female threaded ISO 7 Rp or NPT.
Flanged EN 1092-1 PN 40.
Flanged ASME B16.5 Class 150 or 300.
Socket weld (SW) ASME B16.11.
Butt weld (BW) ASME B16.25 on request.

INSTALLATION: Horizontal installation.
See IMI – Installation and maintenance instructions.

MAX. ΔP: IB36S-5 – 5 bar
IB36S-10 – 10 bar
IB36S-15 – 15 bar
IB36S-30 – 30 bar
IB36S-40 – 40 bar



BODY LIMITING CONDITIONS			
FLANGED CLASS 300 / THREADED / BW / SW **	FLANGED PN 40 *	FLANGED CLASS 150 **	RELAT. TEMP.
ALLOW. PRESS.	ALLOW. PRESS.	ALLOW. PRESS.	
50 bar	40 bar	19,3 bar	50 °C
46,3 bar	37,1 bar	17,7 bar	100 °C
43,9 bar	33,3 bar ***	14 bar ***	200 °C
41,6 bar ***	30,4 bar	12,1 bar	250 °C
38,9 bar	27,6 bar	10,2 bar	300 °C
34,6 bar	23,8 bar	6,5 bar	400 °C

* According to EN 1092-1:2018.

** According to EN 1759-1:2004.

*** PMO – Maximum operating pressure.

TMO – Maximum operating temperature: 400 °C.

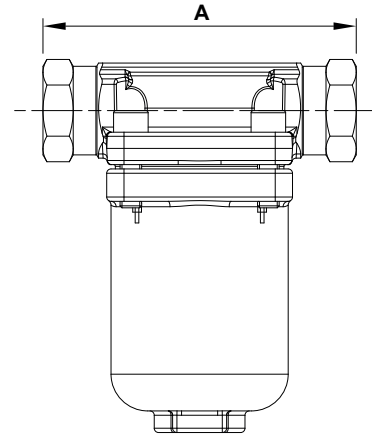
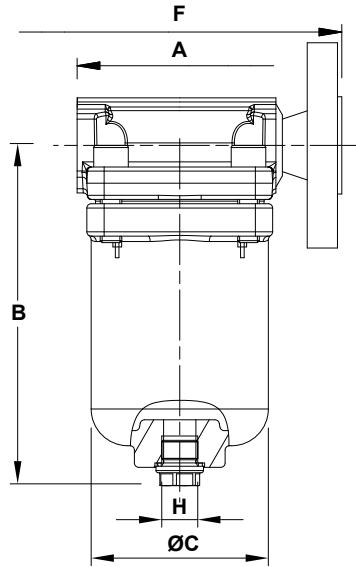
Body limiting conditions Class 300 or below, depending on the type of connection adopted. Rating Class 300 for threaded, SW and BW versions.

CE MARKING – GROUP 2 (PED – European Directive)

PN 40	Category
1/2" to 1" – DN 15 to 25	SEP

FLOW RATE CAPACITY (kg/h)

MODEL	SIZE	DIFFERENTIAL PRESSURE (bar)														
		1	2	3	4	5	6	7	8	9	10	15	20	30	40	
IB36S-5	1/2" to 1" – DN 15 to 25	290	400	495	550	610	–	–	–	–	–	–	–	–	–	–
IB36S-10	1/2" to 1" – DN 15 to 25	225	300	350	395	420	470	490	520	540	560	–	–	–	–	–
IB36S-15	1/2" to 1" – DN 15 to 25	190	255	295	330	370	390	410	445	465	490	520	–	–	–	–
IB36S-30	1/2" to 1" – DN 15 to 25	130	180	210	225	265	285	300	315	340	355	415	450	480	–	–
IB36S-40	1/2" to 1" – DN 15 to 25	90	120	135	155	165	185	205	220	230	245	290	320	370	400	–



Only for 1" threaded version
(with welded coupling)

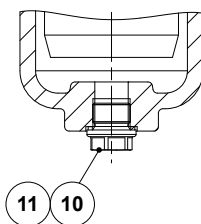
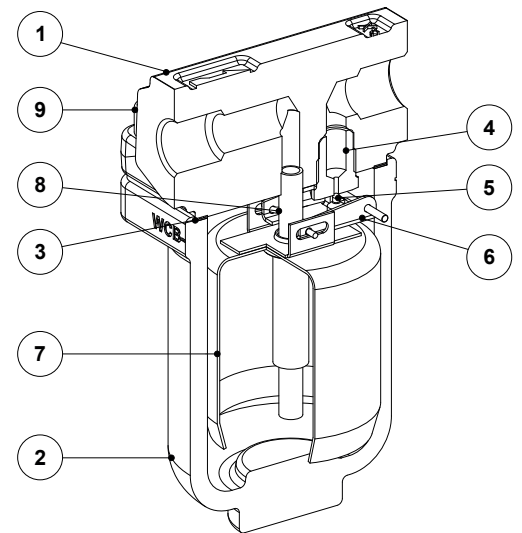
DIMENSIONS (mm)													
THREADED					SW		PN 40		CLASS 150		CLASS 300		
SIZE	A	B	ØC	H *	WEIGHT (kg)	A	WEIGHT (kg)	F	WEIGHT (kg)	F	WEIGHT (kg)	F	WEIGHT (kg)
1/2" – DN 15	95	153	82	3/8"	3,9	95	3,9	150	5,4	150	4,8	150	5,3
3/4" – DN 20	95	153	82	3/8"	3,8	95	3,8	150	5,9	150	5,2	150	6,2
1" – DN 25	145 **	153	82	3/8"	4	95	3,8	160	6,3	160	5,7	160	6,8

* As standard, in versions with EN flanges or female Rp threads, this connection is female threaded ISO 7 Rp. In versions with ASME flanges, female NPT threads or SW, this connection is female threaded NPT.

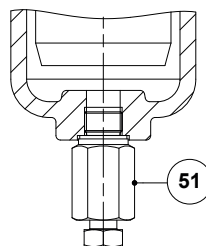
** With welded coupling.

MATERIALS		
POS. N°	DESIGNATION	MATERIAL
1	Body	P250GH / 1.0460
2	Cover	A216 WCB / 1.0619
3	* Gasket	Stainless steel / Graphite
4	* Seat	AISI 440C / 1.4125
5	* Valve	AISI 420 / 1.4021
6	* Lever	AISI 304 / 1.4301
7	* Bucket	AISI 304 / 1.4301
8	Inlet tube	AISI 316L / 1.4404
9	Bolts	ASTM A193 Gr. B7
10	Plug	AISI 316 / 1.4401
11	** Washer	Copper; AISI 304 / 1.4301
51	Blowdown valve	AISI 303 / 1.4305; AISI 316L / 1.4404
61	Anti-freeze device	AISI 303 / 1.4305; AISI 316L / 1.4404

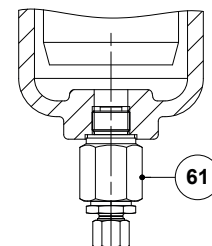
* Available spare parts; ** Not applicable in NPT version.



Cover connection with plug



BDV - Blowdown valve
(Manual)



AFZ - Anti-freeze device
(Automatic)