

LEVEL GAUGE VALVES LGC400

DESCRIPTION

The LGC stainless steel level gauge valves are specially conceived to supervise the functioning and visualize the liquid level in pressure operated pumps, reservoirs and other equipment. These valves are designed to be used with tubular glass, which can be supplied with the units.

MAIN FEATURES

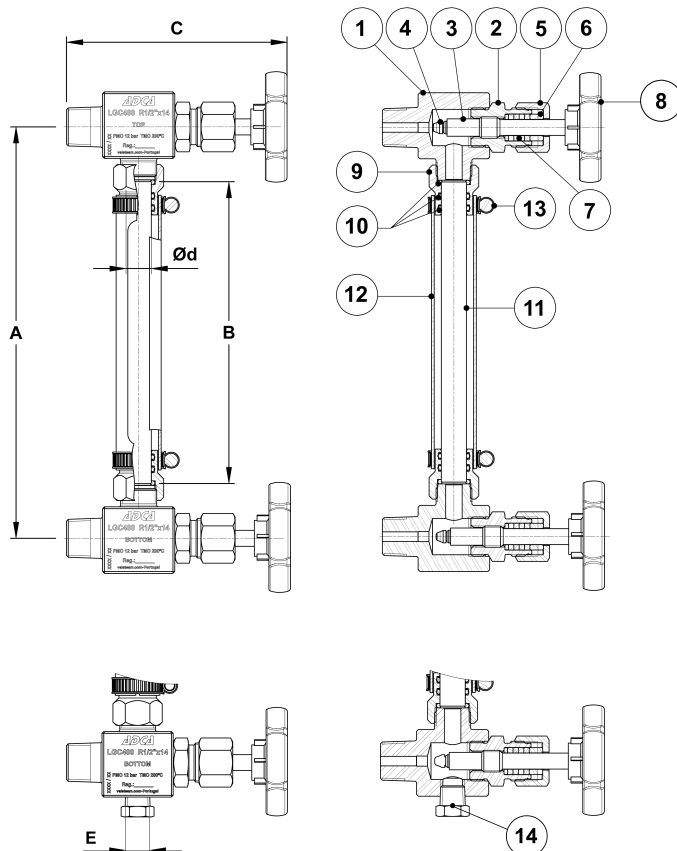
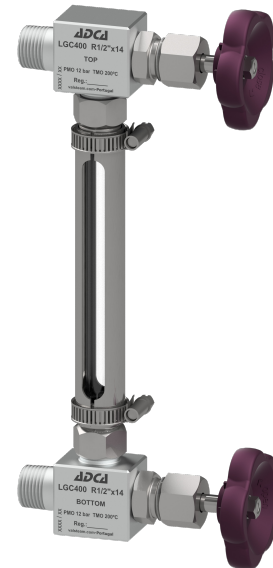
Stainless steel construction.
Simple and cost-effective design.
PTFE packing.

OPTIONS: Fitted with glass and protection guard.
1/4" bottom drain connection.

AVAILABLE MODELS: LGC400 – stainless steel.

SIZES: 1/2" x 14 mm.

CONNECTIONS: Male threaded ISO 7 R.



Optional bottom drain connection

LIMITING CONDITIONS

Maximum operating pressure	12 bar
Maximum operating temperature	200 °C

DIMENSIONS (mm)

SIZE	A	B	C	d	E	WGT. (kg)
1/2" x 14	*	**	122	14	1/4" ***	****

* Dimension to be provided by customer.

** Dimension B is obtained by subtracting 61 mm to dimension A.

*** Female threaded NPT.

**** Weight to be determined according to dimensions A and B.

MATERIALS

POS. N°	DESIGNATION	MATERIAL
1	Body	AISI 316 Ti / 1.4571
2	Bonnet	AISI 316 Ti / 1.4571
3	Stem	AISI 316 Ti / 1.4571
4	Plug	AISI 316 Ti / 1.4571
5	Packing nut	AISI 316 Ti / 1.4571
6	Packing gland	AISI 316 Ti / 1.4571
7	* Packing set	PTFE
8	Handwheel	PP GF30
9	Glass guide	AISI 316 / 1.4401
10	* O-rings	Viton
11	* Glass	Borosilicate
12	Glass protection guard	AISI 304 / 1.4301
13	Hose clamp	Zinc plated steel
14	Plug	AISI 316 Ti / 1.4571

* Available spare parts.