

ADCAMAT PACKAGED AUTOMATIC PUMP (Suitable for steam supply) POPS-K (Simplex)

DESCRIPTION

The ADCAMat POPS-K packaged pump units can be used to lift or displace hot condensate and other liquids even in hazardous areas. The unit is comprised by an ADCAMat POP, a vented receiver and all auxiliary items, compactly mounted on a metal frame, piped and ready for connection.

Packaged units save time, work and site costs. In addition, they ensure that the installation of the pump is correct in every detail.

Two or more units can be connected in parallel to cope with flow rates beyond the capacity of a single pump.

Packaged units for operation with compressed air are also available. All connections are flanged EN 1092-1 PN 16. Flanged ASME B16.5 Class 150 on request.

Threaded flanges and/or other connection standards available on request.

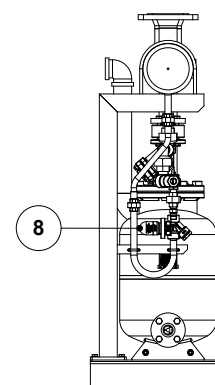
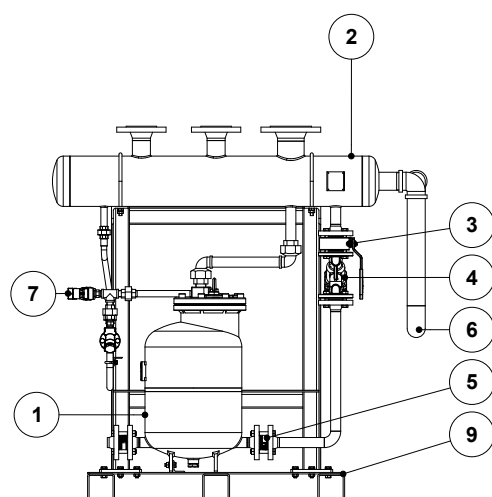
For operating conditions and pumping capacities, please refer to the information sheet IS 9.101.



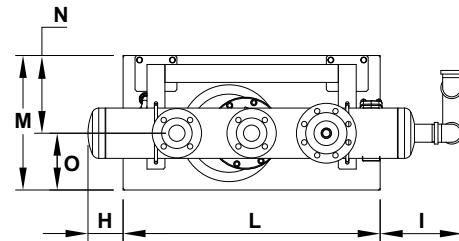
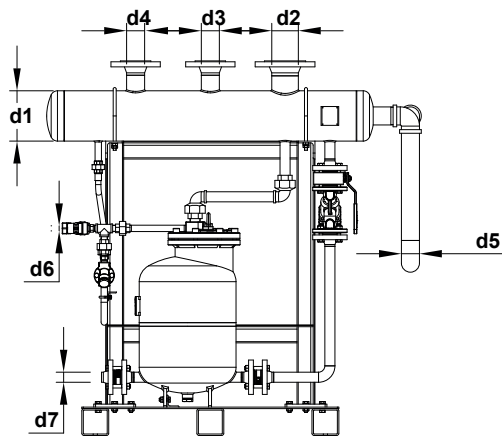
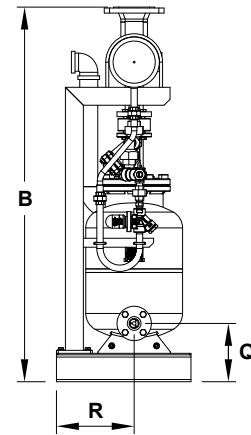
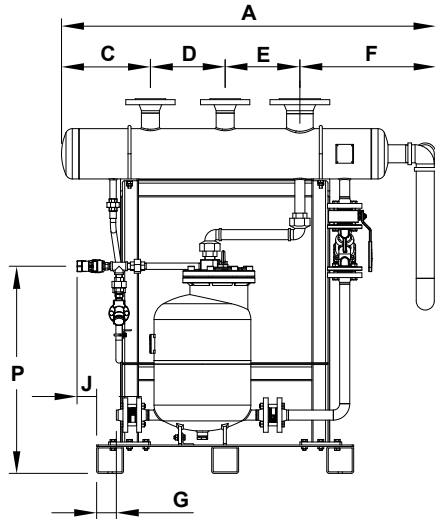
How to order: i.e. ADCAMat POPS-K carbon steel packaged pump, steam operated, flanged PN 16 DN 40.

CE MARKING – GROUP 2 (PED – European Directive)	
PN 16	Category
All sizes	2 (CE marked)

LIMITING CONDITIONS	
Receiver – Max. operating pressure	0,5 bar
Pump	See IS 9.101



MATERIALS			
POS. N°	DESIGNATION	POS. N°	DESIGNATION
1	POPS pumps	6	M3i ball valves
2	Receiver	7	Overflow
3	MWS1 wafer ball valve	8	IS140 Y strainer
4	IS16F strainer	9	UCX41 + UBS20 steam trap
5	RD40 disc check valve	10	Metal frame



DIMENSIONS (mm)																	
SIZE	A	B	C	D	E	F	G	H	I	J	L	M	N	O	P	Q	R
DN 25	1251	1254	298	250	250	454	66	118	274	66	860	450	260	190	693	195	260
DN 40	1251	1254	298	250	250	454	46	118	274	66	860	450	260	190	693	195	260
DN 50	1289	1304	316	250	250	473	32	136	293	82	860	450	260	190	693	195	260
DN 80 x 50	1367	1368	175	330	330	532	13	125	282	3	960	535	309	226	703	208	309

Dimensions subject to change without notice. Consult manufacturer for certified dimensions and weight.

CONNECTIONS SIZE							
SIZE	d1 (mm)	d2 *	d3 *	d4 *	d5	d6	d7 **
DN 25	168	3" – DN 80	2" – DN 50	2" – DN 50	2"	1/2"	1" – DN 25
DN 40	168	3" – DN 80	2" – DN 50	2" – DN 50	2"	1/2"	1 1/2" – DN 40
DN 50	220	3" – DN 80	2" – DN 50	2" – DN 50	2"	1/2"	2" – DN 50
DN 80 x 50	273	4" – DN 100	2 1/2" – DN 65	2 1/2" – DN 65	2"	1/2"	2" – DN 50

d2 – vent; d3 and d4 – condensate inlets; d5 – overflow.

* Threaded connections on request.

** Welding neck flange. Threaded connections on request.