

FLOAT AND THERMOSTATIC STEAM TRAPS FLT50 and FLT65

DESCRIPTION

The FLT50 and FLT65 are a series of high capacity float and thermostatic steam traps with integral air vent, designed for modulating discharge of condensate to ensure maximum system heat transfer.

Specially designed for applications where continuous drainage is essential and high loads are involved.

MAIN FEATURES

- High capacity.
- Modulating discharge of condensate at steam temperature.
- Unaffected by sudden or wide load and pressure variations.
- No backing-up with condensate.
- Excellent air discharge through its integrated thermostatic air vent.

OPTIONS: Equalizing (vent) and drain connections.

USE: Saturated and superheated steam.

AVAILABLE MODELS: FLT50S and FLT65S – carbon steel.

SIZES: FLT50S – 2" to 2 1/2"; DN 50 to DN 65.
FLT65S – 2 1/2" to 4"; DN 65 to DN 100.

CONNECTIONS: Flanged EN 1092-1 PN 16.
Flanged ASME B16.5 Class 150.

INSTALLATION: Angled horizontal installation.
See IMI – Installation and maintenance instructions.

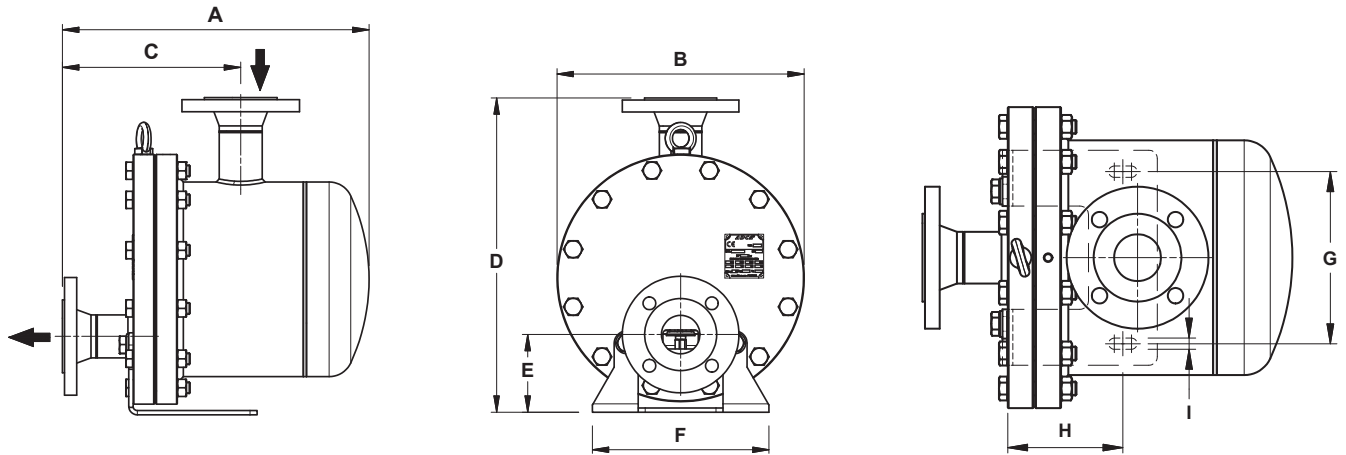


BODY LIMITING CONDITIONS *	
FLANGED PN 16 / CLASS 150 ALLOWABLE PRESSURE	RELATED TEMPERATURE
14,8 bar	100 °C
13,3 bar	200 °C
12,1 bar	250 °C
11 bar	300 °C

PMO – Max. operating pressure: 12 bar.
TMO – Max. operating temperature: 250 °C.
* According to EN 1092-1:2018.

CE MARKING – GROUP 2 (PED – European Directive)	
PN 16	Category
2" to 4" – DN 50 to 100	2 (CE marked)

FLOW RATE CAPACITY (kg/h)																	
MODEL	SIZE	DIFFERENTIAL PRESSURE (bar)															
		0,1	0,3	0,5	1	1,5	2	2,5	3	3,5	4	5	6	7	8	10	12
FLT50S	2" to 2 1/2" DN 50 to 65	7500	10000	11300	12500	13500	15000	16000	17500	18500	20000	20500	21500	22000	22500	23000	23500
FLT65S	2 1/2" to 4" DN 65 to 100	18800	22700	24500	29000	31000	34000	37000	38000	39500	42000	43500	45500	47000	48000	49500	50000



DIMENSIONS (mm)

MODEL	SIZE	A PN 16	A CL. 150	B	C PN 16	C CL. 150	D	E	F	G	H	I	WEIGHT (kg)
FLT50S	2" – DN 50	430	445	350	250	265	445	110	250	200	134	13	57
FLT50S	2 1/2" – DN 65	460	485	350	280	305	445	110	250	200	134	13	58,2
FLT65S	2 1/2" – DN 65	475	500	440	255	280	535	125	310	250	134	13	92
FLT65S	3" – DN 80	506	526	440	286	306	535	125	310	250	134	13	93,5
FLT65S	4" – DN 100	520	544	440	300	324	535	125	310	250	134	13	96

MATERIALS

POS. N°	DESIGNATION	MATERIAL
1	Body	P235GH / 1.0345; P250GH / 1.0460; S235JR / 1.0038; S355JR / 1.0045; A105 / 1.0432
2	Cover	P235GH / 1.0345; P250GH / 1.0460; P265GH / 1.0425; S355JR / 1.0045; A105 / 1.0432
3	* Gasket	Stainless steel / Graphite
4	* Seat	A351 CF8 / 1.4308
5	* Gasket	Stainless steel / Graphite
6	* Valve	AISI 420 / 1.4021; A351 CF8M / 1.4408
7	* Lever	AISI 316 / 1.4401; AISI 304 / 1.4301
8	* Float	AISI 304 / 1.4301
9	* Automatic air vent	Stainless steel (thermostatic)
10	Bolts	Steel 8.8
10A	Nuts	Steel 8.8

* Available spare parts.

