

## FLOAT AND THERMOSTATIC STEAM TRAPS FLT25 (SG iron ; 1" – DN 25)

### DESCRIPTION

The FLT25 is a series of float and thermostatic steam traps with integral air vent designed for modulating discharge of condensate, ensuring maximum system heat transfer.

Typical applications include unit heaters, heat exchangers, dryers, jacketed vessels and other applications where continuous discharge is essential.

### MAIN FEATURES

Modulating discharge of condensate at steam temperature.  
Unaffected by sudden or wide load and pressure variations.  
No backing-up with condensate.  
Excellent air discharge through its integrated air vent.  
Flow direction can be easily changed by repositioning the body in relation to the mechanism and cover.

OPTIONS:

- Equalizing (vent) and drain connections.
- SLR – Steam lock release.
- HVV – Hand vent valve.
- BDV – Blowdown valve.
- AFZ – Anti-freeze device.
- FLL – Float lifting lever.
- VB21M – Vacuum breaker.

USE: Saturated and superheated steam.

AVAILABLE MODELS: FLT25-4,5 , 10 and 14 – SG iron.

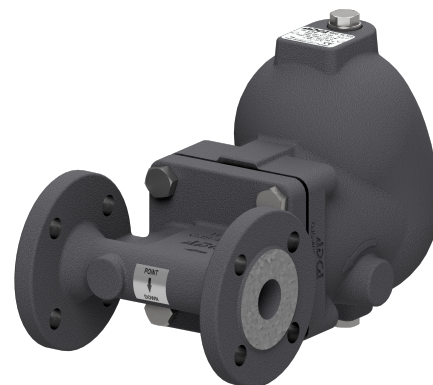
SIZES: 1"; DN 25.

CONNECTIONS: Female threaded ISO 7 Rp or NPT.  
Flanged EN 1092-1/-2 PN 16.  
Flanged ASME B16.42 Class 150.

INSTALLATION: Inline horizontal or vertical installation.  
Angled horizontal or vertical installation.  
See IMI – Installation and maintenance instructions.

MAX. ΔP:

- FLT25-4,5 – 4,5 bar
- FLT25-10 – 10 bar
- FLT25-14 – 14 bar

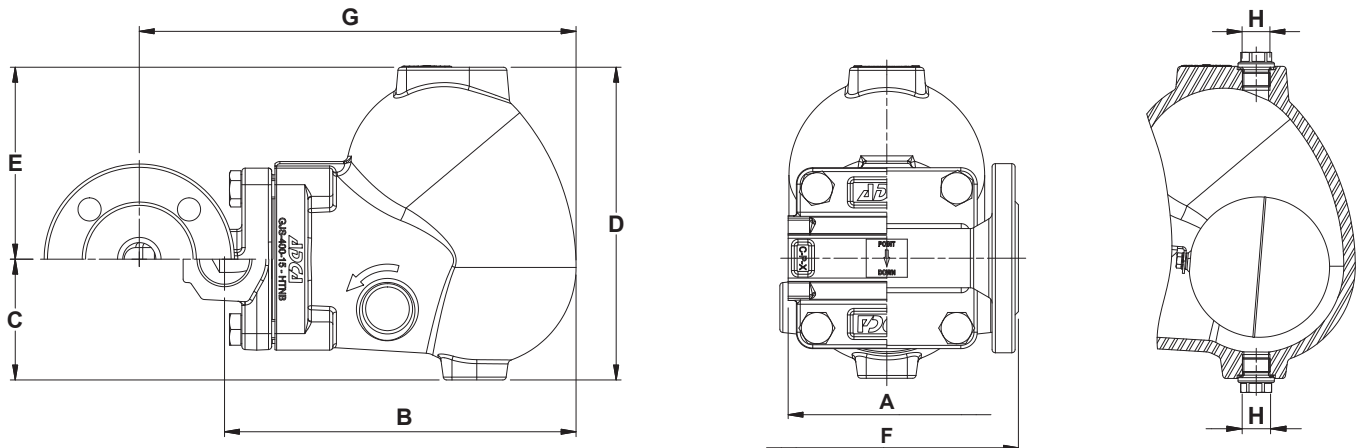


BODY LIMITING CONDITIONS		
FLANGED PN 16 *	FLANGED CLASS 150 **	RELAT. TEMP.
ALLOWABLE PRESSURE	ALLOWABLE PRESSURE	
16 bar	16 bar	100 °C
15,5 bar	14,8 bar	150 °C
14,7 bar	13,9 bar	200 °C
13,9 bar	12,1 bar	250 °C

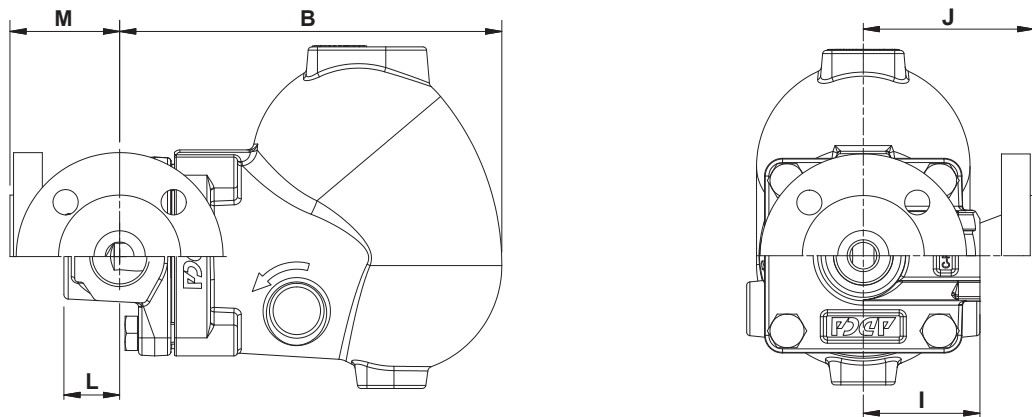
PMO – Maximum operating pressure: 14 bar.  
TMO – Maximum operating temperature: 250 °C.  
\* Acc. to EN 1092-2:2018; \*\* Acc. to ASME B16.42.  
Body limiting conditions PN 16 or below, depending on the type of connection adopted. Rating PN 16 for threaded versions.

CE MARKING – GROUP 2 (PED – European Directive)	
PN 16	Category
1" – DN 25	SEP

FLOW RATE CAPACITY (kg/h)										
MODEL	SIZE	DIFFERENTIAL PRESSURE (bar)								
		0,5	1	1,5	2	4,5	7	10	12	14
FLT25-4,5	1" – DN 25	900	1250	1490	1630	2490	–	–	–	–
FLT25-10	1" – DN 25	445	610	705	850	1285	1670	1820	–	–
FLT25-14	1" – DN 25	335	445	515	600	885	1150	1350	1500	1610



Inline design



Angled design

**DIMENSIONS (mm) – INLINE DESIGN**

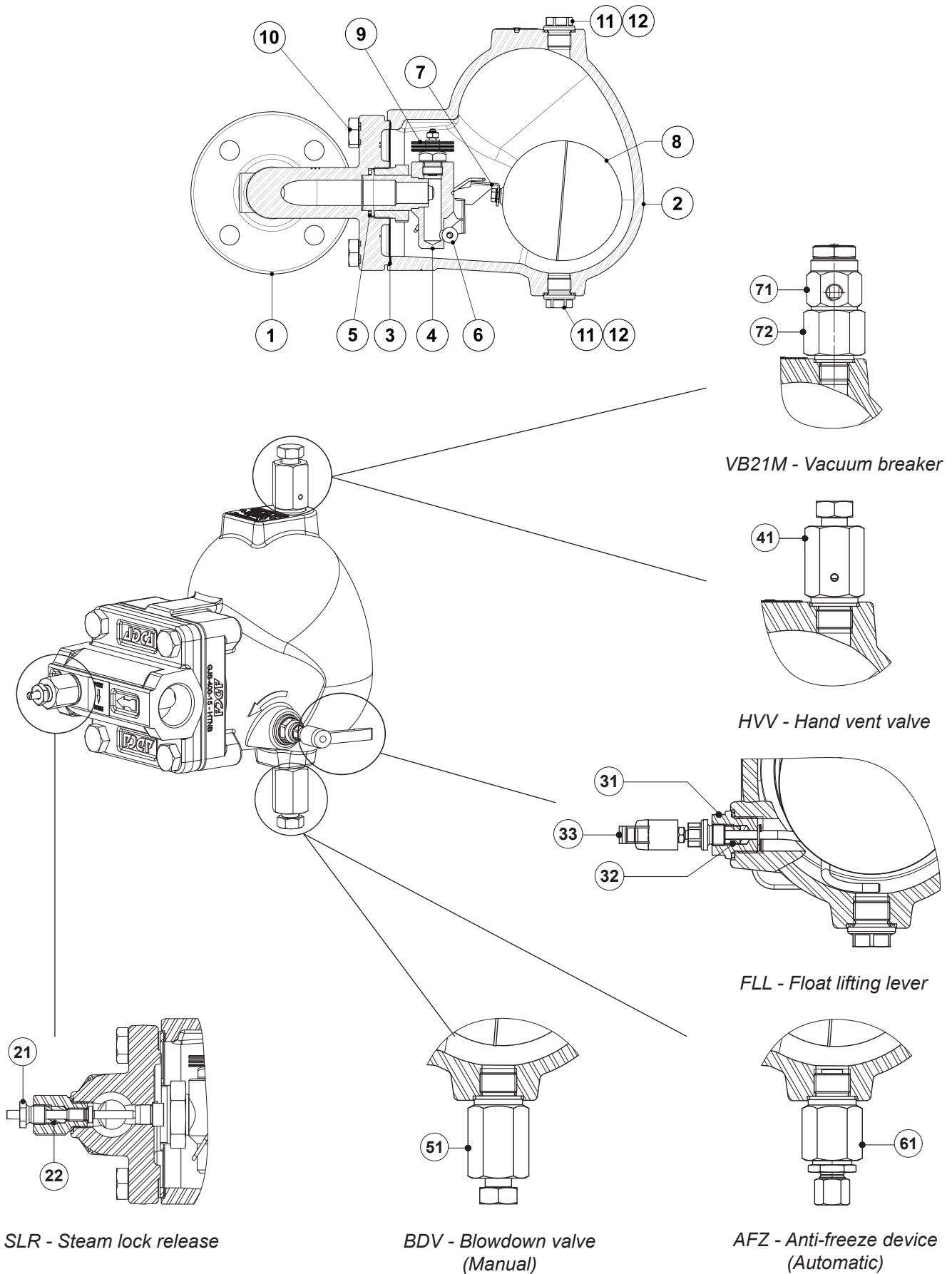
SIZE	THREADED							PN 16			CLASS 150		
	A	B	C	D	E	H *	WEIGHT (kg)	F	G	WEIGHT (kg)	F	G	WEIGHT (kg)
1" – DN 25	120	212	73	189	116	3/8"	8,9	160	264	12	160	264	11,9

**DIMENSIONS (mm) – ANGLED DESIGN**

SIZE	THREADED							PN 16			CLASS 150			
	B	C	D	E	H *	I	L	WGT. (kg)	J	M	WGT. (kg)	J	M	WGT. (kg)
1" – DN 25	212	73	189	116	3/8"	65	31	8,4	95	61	11	100	66	10,5

\* As standard, in versions with EN flanges or female ISO 7 Rp threads, these connections are female threaded ISO 228. In versions with ASME flanges or female NPT threads, these connections are female threaded NPT.

MATERIALS

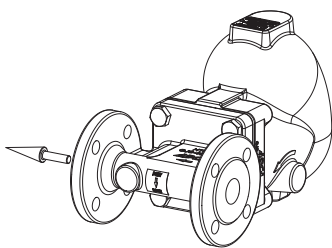


**MATERIALS**

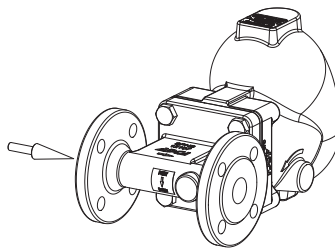
POS. N°	DESIGNATION	MATERIAL
1	Body (inline flanged)	GJS-400-15 / 0.7040
	Body (inline threaded)	P250GH / 1.0460
	Body (angled)	P250GH / 1.0460
2	Cover	GJS-400-15 / 0.7040
3	* Gasket	Stainless steel / Graphite
4	* Seat	AISI 303 / 1.4305
5	* Gasket	Copper
6	* Valve ball	AISI 316 / 1.4401
7	* Lever	AISI 304 / 1.4301
8	* Float	AISI 304 / 1.4301
9	* Automatic air vent	Stainless steel; Bimetallic
10	Bolts	Zinc plated steel
11	Plug	AISI 316L / 1.4404
12	** Gasket	Copper; AISI 304 / 1.4301
21	Steam Lock Release	AISI 420 / 1.4021 AISI 316L / 1.4404
22	Packing	Graphite
31	Lever mechanism	AISI 303 / 1.4305 ; AISI 304 / 1.4301; AISI 316L / 1.4404
32	Packing	Graphite
33	Lever	Plastic
41	Hand vent valve	AISI 303 / 1.4305; AISI 316L / 1.4404
51	Blowdown valve	AISI 303 / 1.4305; AISI 316L / 1.4404
61	Anti-freeze device	AISI 303 / 1.4305; AISI 316L / 1.4404
71	Vacuum breaker	AISI 303 / 1.4305
72	Connector	AISI 316L / 1.4404

\* Available spare parts; \*\* Not applicable in NPT version.

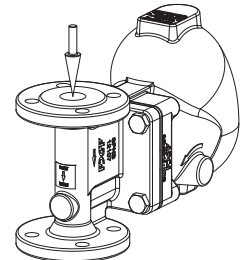
**FLOW DIRECTION**



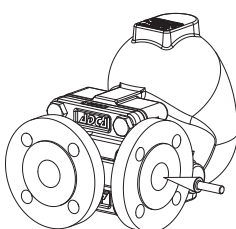
*IR - Horizontal from right to left*



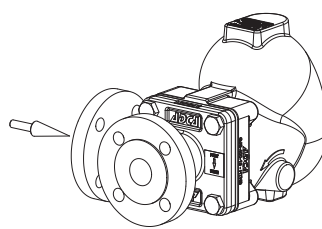
*IL - Horizontal from left to right*



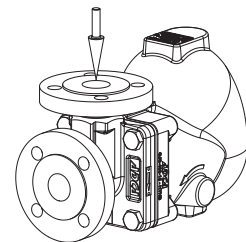
*IT - Vertical from top to bottom*



*AR - Angled from right to front*



*AL - Angled from left to front*



*AT - Angled from top to front*



ORDERING CODES FLT25										
Model	A25	2	V	XX	X	X	IR	A	25	
FLT25	A25									
<b>Differential pressure</b>										
4,5 bar		2								
10 bar		3								
14 bar		4								
<b>Automatic air vent</b>										
Bimetallic air vent (standard)			V							
None			X							
<b>Cover connections</b>										
None				XX						
3/8" threaded connections on top and bottom, closed with plugs (mandatory if any options are considered)				10						
<b>Options</b>										
If any, these have specific separate ordering codes, please refer to the appropriate documentation.										
<b>SLR - Steam lock release</b>										
None					X					
With steam lock release assembled					S					
<b>FLL - Float lifting lever</b>										
None						X				
Lifting lever on the right side (when facing the steam trap body)							R			
Lifting lever on the left side (when facing the steam trap body)							L			
<b>Flow direction</b>										
Inline horizontal from right to left (standard)							IR			
Inline horizontal from left to right							IL			
Inline vertical from top to bottom							IT			
Angled from right to front							AR			
Angled from left to front							AL			
Angled from top to front							AT			
<b>Pipe connections</b>										
Female threaded ISO 7 Rp								A		
Female threaded NPT								C		
Flanged EN 1092-2 PN 16								L		
Flanged ASME B16.42 Class 150								U		
<b>Size</b>										
1" or DN 25									25	
<b>Special valves / Extras</b>										
Full description or additional codes have to be added in case of a non-standard combination										E