

## INVERTED BUCKET STEAM TRAPS IB30S

### DESCRIPTION

The IB30S is a series of general purpose robust and versatile inverted bucket steam traps manufactured in carbon steel. These steam traps operate intermittently and are suitable for use with saturated or superheated steam. Typical applications include drip points, steam tracing lines, dryers, chemical and laundry equipment.

### MAIN FEATURES

Intermittent discharge.  
Discharges condensate at steam temperature.  
Unaffected by water hammer and vibrations.  
Robust and versatile.  
Easy to maintain.

**OPTIONS:** Cover connection with plug (mandatory if any of the below options are considered).  
BDV – Blowdown valve.  
AFZ – Anti-freeze device.

**USE:** Saturated and superheated steam.

**AVAILABLE MODELS:** IB30S-4, 8, 12 and 17 – carbon steel.

**SIZES:** 1/2" to 1".

**CONNECTIONS:** Female threaded ISO 7 Rp or NPT.  
Socket weld (SW) ASME 16.11.  
Butt weld (BW) ASME B16.25 on request.

**INSTALLATION:** Horizontal installation.  
See IMI – Installation and maintenance instructions.

**MAX. ΔP:** IB30S-4 – 4 bar  
IB30S-8 – 8 bar  
IB30S-12 – 12 bar  
IB30S-17 – 17 bar

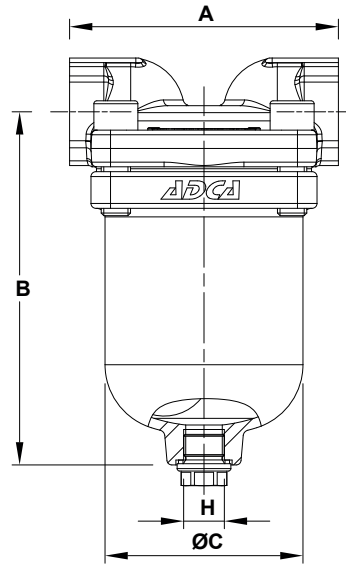


| CE MARKING – GROUP 2 (PED – European Directive) |          |
|---|----------|
| PN 25   | Category |
| 1/2" to 1"                                      | SEP      |

| BODY LIMITING CONDITIONS * |                     |
|----------------------------|---------------------|
| ALLOWABLE PRESSURE         | RELATED TEMPERATURE |
| 25 bar                     | 100 °C              |
| 25 bar                     | 200 °C              |
| 24,4 bar                   | 250 °C              |
| 22 bar                     | 300 °C              |

PMO – Maximum operating pressure: 17 bar.  
TMO – Maximum operating temperature: 300 °C.  
\* According to EN 1092-1:2018.

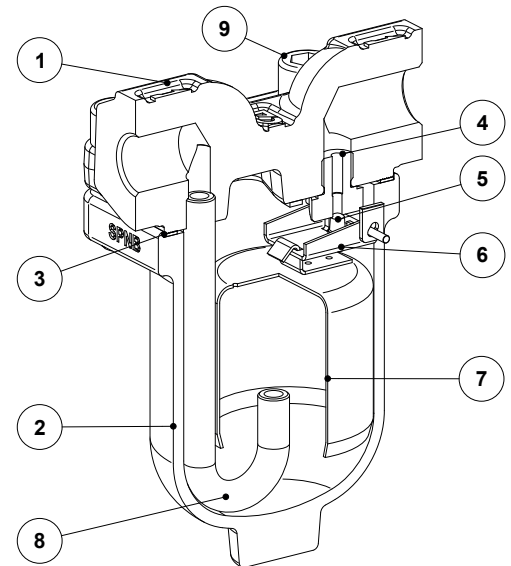
| FLOW RATE CAPACITY (kg/h) |            |                             |     |     |     |     |     |     |     |     |     |     |     |     |
|---------------------------|------------|-----------------------------|-----|-----|-----|-----|-----|-----|-----|-----|-----|-----|-----|-----|
| MODEL                     | SIZE       | DIFFERENTIAL PRESSURE (bar) |     |     |     |     |     |     |     |     |     |     |     |     |
|                           |            | 1                           | 2   | 3   | 4   | 5   | 6   | 7   | 8   | 10  | 11  | 12  | 14  | 17  |
| IB30S-4                   | 1/2" to 1" | 280                         | 390 | 470 | 530 | –   | –   | –   | –   | –   | –   | –   | –   | –   |
| IB30S-8                   | 1/2" to 1" | 190                         | 260 | 320 | 360 | 400 | 430 | 460 | 500 | –   | –   | –   | –   | –   |
| IB30S-12                  | 1/2" to 1" | 160                         | 220 | 260 | 290 | 320 | 360 | 370 | 400 | 440 | 480 | 490 | –   | –   |
| IB30S-17                  | 1/2" to 1" | 140                         | 180 | 200 | 215 | 225 | 235 | 240 | 250 | 265 | 270 | 275 | 280 | 400 |



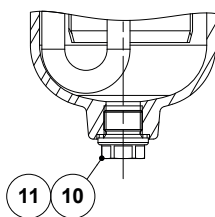
| DIMENSIONS (mm) |     |     |    |      |             |
|-----------------|-----|-----|----|------|-------------|
| SIZE            | A   | B   | ØC | H *  | WEIGHT (kg) |
| 1/2"            | 110 | 144 | 81 | 3/8" | 3,4         |
| 3/4"            | 110 | 144 | 81 | 3/8" | 3,3         |
| 1"              | 110 | 144 | 81 | 3/8" | 3,2         |

\* As standard, in versions with female Rp threads, this connection is female threaded ISO 7 Rp. In versions with female NPT threads or SW, this connection is female threaded NPT.

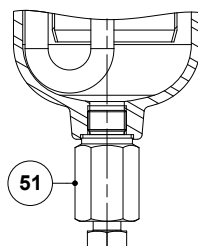
| MATERIALS |                    |                                       |
|-----------|--------------------|---------------------------------------|
| POS. N°   | DESIGNATION        | MATERIAL                              |
| 1         | Body               | A216 WCB / 1.0619                     |
| 2         | Cover              | A216 WCB / 1.0619                     |
| 3         | * Gasket           | Stainless steel / Graphite            |
| 4         | * Seat             | AISI 410 / 1.4006                     |
| 5         | * Valve            | AISI 410 / 1.4006                     |
| 6         | * Lever            | AISI 304 / 1.4301                     |
| 7         | * Bucket           | AISI 304 / 1.4301                     |
| 8         | Inlet tube         | AISI 304 / 1.4301                     |
| 9         | Bolts              | Steel 8.8                             |
| 10        | Plug               | AISI 316 / 1.4401                     |
| 11        | ** Washer          | Copper; AISI 304 / 1.4301             |
| 51        | Blowdown valve     | AISI 303 / 1.4305; AISI 316L / 1.4404 |
| 61        | Anti-freeze device | AISI 303 / 1.4305; AISI 316L / 1.4404 |



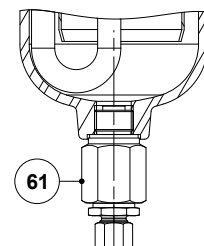
\* Available spare parts; \*\* Not applicable in NPT version.



Cover connection with plug



BDV - Blowdown valve  
(Manual)



AFZ - Anti-freeze device  
(Automatic)