

INVERTED BUCKET STEAM TRAPS UIB36 (For use with universal pipeline connectors)

DESCRIPTION

The UIB36 series inverted bucket steam traps, completely in stainless steel, are maintenance free and sealed. These steam traps operate intermittently, and are suitable for use with low to high pressure saturated or superheated steam.

Typical applications include drip points, steam tracing lines, dryers, chemical and laundry equipment.

These traps fit the UCX universal connectors and CTS4U compact stations.

MAIN FEATURES

Sealed, non-maintainable.

Intermittent discharge.

Discharges condensate at steam temperature.

USE: Saturated and superheated steam.

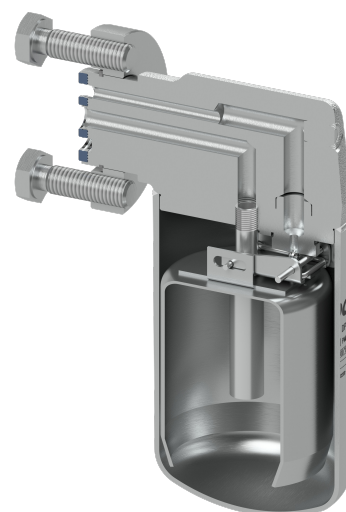
AVAILABLE

MODELS: UIB36-5 , 10, 15 and 27 – stainless steel.

SIZES: According to the selected pipeline connector.

INSTALLATION: With the protruding body section pointing downwards.
See IMI – Installation and maintenance instructions.

MAX. ΔP: UIB36-5 – 5 bar
UIB36-10 – 10 bar
UIB36-15 – 15 bar
UIB36-27 – 27 bar



| BODY LIMITING CONDITIONS * | |
|--------------------------------|------------------------|
| PN 40 ALLOWABLE PRESSURE | RELATED TEMPERATURE |
| 40 bar | -10 / 50 °C |
| 36,3 bar | 100 °C |
| 29,9 bar | 200 °C |
| 25,7 bar | 300 °C |
| 23,8 bar | 400 °C |

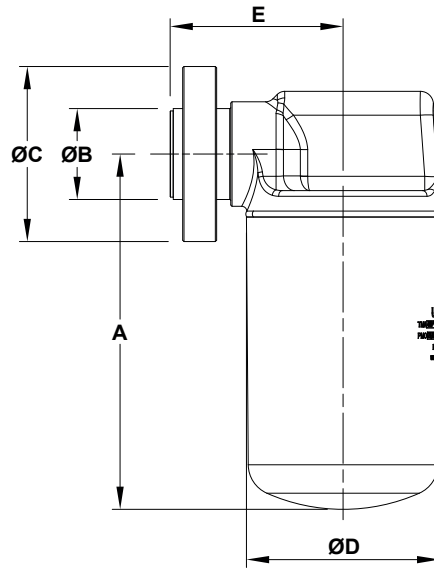
PMO – Maximum operating pressure: 27 bar.

TMO – Maximum operating temperature: 400 °C.

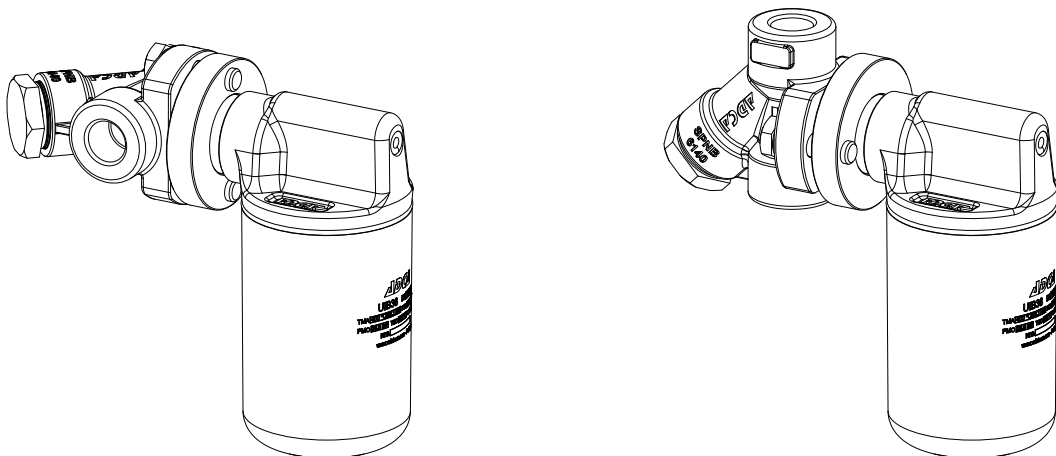
* According to EN 1092-1:2018.

Remark: the pipeline connector may restrict the operating conditions to a lower rating.

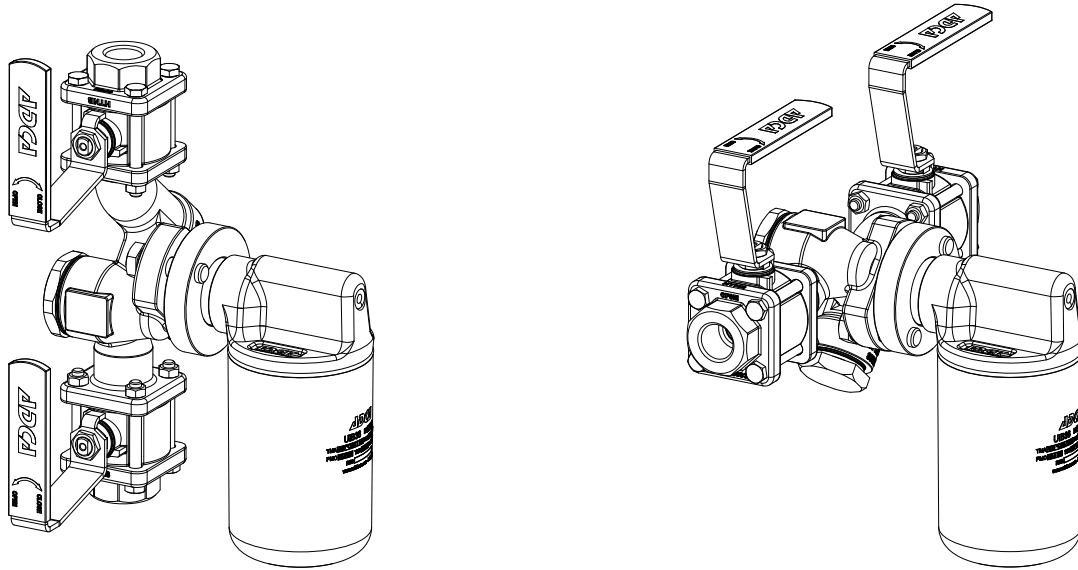
| FLOW RATE CAPACITY (kg/h) | | | | | | | | | | | | | |
|---------------------------|-----------------------------|-----|-----|-----|-----|-----|-----|-----|-----|-----|-----|-----|-----|
| MODEL | DIFFERENTIAL PRESSURE (bar) | | | | | | | | | | | | |
| | 1 | 2 | 3 | 4 | 5 | 6 | 7 | 8 | 9 | 10 | 15 | 20 | 27 |
| UIB36 – 5 | 290 | 400 | 495 | 550 | 610 | – | – | – | – | – | – | – | – |
| UIB36 – 10 | 225 | 300 | 350 | 395 | 420 | 470 | 490 | 520 | 540 | 560 | – | – | – |
| UIB36 – 15 | 190 | 255 | 295 | 330 | 370 | 390 | 410 | 445 | 465 | 490 | 520 | – | – |
| UIB36 – 27 | 130 | 180 | 210 | 225 | 265 | 285 | 300 | 315 | 340 | 355 | 415 | 450 | 470 |



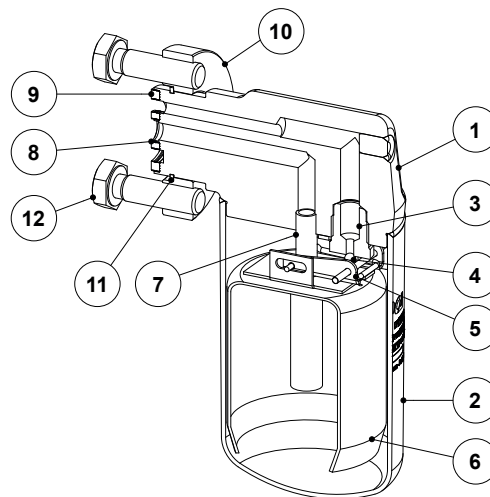
| DIMENSIONS (mm) | | | | | | |
|-----------------|-----|------|----|-------|------|-------------|
| MODEL | A | ØB | ØC | ØD | E | WEIGHT (kg) |
| UIB36 | 136 | 34,8 | 67 | 73,98 | 66,2 | 2,1 |



UIB36 steam trap connected to a UCX41 universal pipeline connector



UIB36 steam trap connected to a CTS4U universal compact trapping station



MATERIALS

| POS. N° | DESCRIPTION | MATERIAL |
|---------|-----------------|----------------------------|
| 1 | Body | AISI 316L / 1.4404 |
| 2 | Cover | AISI 304 / 1.4301 |
| 3 | Valve seat | AISI 440C / 1.4125 |
| 4 | Valve | AISI 420 / 1.4021 |
| 5 | Lever | AISI 304 / 1.4301 |
| 6 | Bucket | AISI 304 / 1.4301 |
| 7 | Inlet tube | AISI 316L / 1.4404 |
| 8 | * Inlet gasket | Stainless steel / Graphite |
| 9 | * Outlet gasket | Stainless steel / Graphite |
| 10 | Flange | AISI 316 / 1.4401 |
| 11 | Retaining ring | Steel |
| 12 | Bolts | ASTM A193 Gr. B7 |

* Available spare parts.