

BALANCED PRESSURE THERMOSTATIC STEAM TRAPS TSS6

DESCRIPTION

The TSS6 all stainless steel thermostatic steam traps and air vents are specifically designed for use in reactors, sterilizers and distribution lines in clean and pure steam systems. Their small size makes them ideal for use with a wide variety of equipment.

MAIN FEATURES

Modulating discharge.
Excellent air discharge.
Simple and compact design.

STANDARD SURFACE FINISH

Internal wetted parts: $\leq 0,51$ micron Ra – SF1.
External: $\leq 0,76$ micron Ra – SF3.
Other surface conditions see IS PV20.00 E – Technical information.
Ultrasonic cleaning.

OPTIONS: Special designs on request.

USE: Saturated clean steam.

AVAILABLE MODELS: TSS6 – clean steam trap.

SIZES: 1/2" to 1 1/2"; DN 08 to DN 25.

CONNECTIONS: ASME BPE, DIN and ISO clamp ferrules or tube weld (ETO) ends.
Others on request.

PACKAGING: Assembling and packaging in a clean room certified according to ISO 14644-1.
The product is end capped and sealed with recyclable thermo-shrinkable plastic film, to avoid contamination.

INSTALLATION: Vertical installation.
See IMI – Installation and maintenance instructions.



CE MARKING – GROUP 2 (PED – European Directive)

| PN 10 | Category |
|------------------------------|----------|
| 1/2" to 1 1/2" – DN 08 to 25 | SEP |

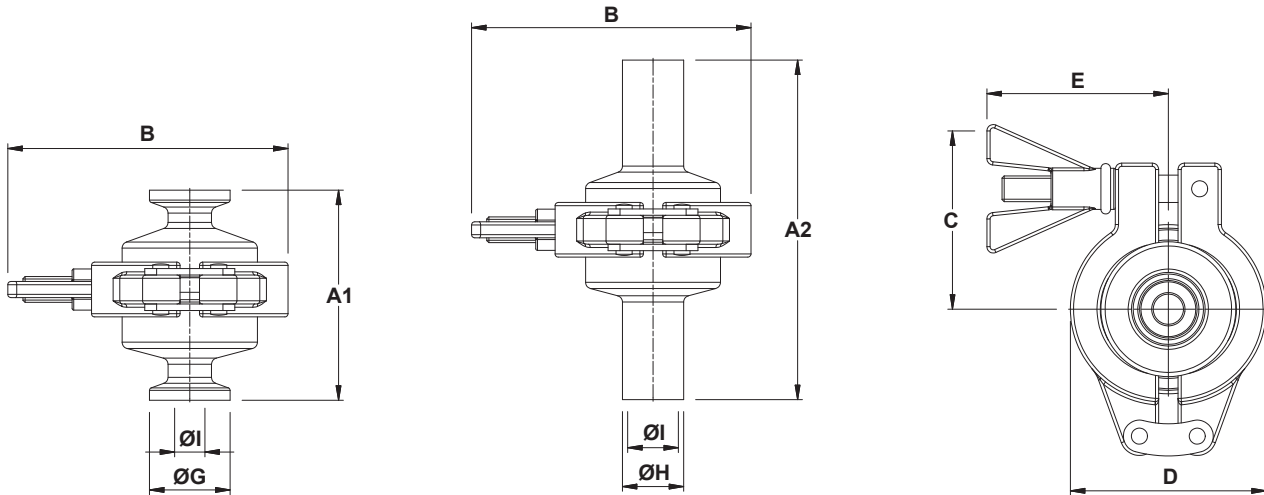
LIMITING CONDITIONS

| | |
|-------------------------------|--------|
| Maximum allowable pressure | 10 bar |
| Maximum allowable temperature | 177 °C |
| Maximum operating pressure | 6 bar |
| Maximum operating temperature | 165 °C |

FLOW RATE CAPACITY (kg/h)

| MODEL | SIZE | DIFFERENTIAL PRESSURE (bar) | | | | | | | | |
|----------|------------------------------|-----------------------------|-----|-----|-----|-----|------|------|------|------|
| | | 0,2 | 0,3 | 0,5 | 1 | 1,5 | 2 | 3 | 4 | 6 |
| TSS6 (A) | 1/2" to 1 1/2" – DN 08 to 25 | 320 | 380 | 410 | 550 | 680 | 909 | 1081 | 1199 | 1403 |
| TSS6 (B) | 1/2" to 1 1/2" – DN 08 to 25 | 470 | 495 | 518 | 697 | 792 | 1026 | 1231 | 1436 | 1682 |

A – Condensate discharge at 5 °C below saturation temperature. B – Cold water capacity around 20 °C.



DIMENSIONS – ASME BPE (mm)

| SIZE | A1 | A2 | B | C | D | E | ØG | ØH | ØI | WEIGHT (kg) |
|--------|----|----|----|------|----|------|------|-------|-------|-------------|
| 1/2" | 65 | 95 | 87 | 57,5 | 61 | 56,5 | 25 | 12,7 | 9,4 | 0,7 |
| 3/4" | 65 | 95 | 87 | 57,5 | 61 | 56,5 | 25 | 19,05 | 15,75 | 0,7 |
| 1" | 65 | 95 | 87 | 57,5 | 61 | 56,5 | 50,5 | 25,4 | 22,1 | 0,8 |
| 1 1/2" | 65 | NA | 87 | 57,5 | 61 | 56,5 | 50,5 | NA | 34,8 | 0,8 |

DIMENSIONS – DIN (mm)

| SIZE | A1 | A2 | B | C | D | E | ØG | ØH | ØI | WEIGHT (kg) |
|-------|----|----|----|------|----|------|------|----|----|-------------|
| DN 10 | 65 | 95 | 87 | 57,5 | 61 | 56,5 | 34 | 13 | 10 | 0,7 |
| DN 15 | 65 | 95 | 87 | 57,5 | 61 | 56,5 | 34 | 19 | 16 | 0,7 |
| DN 20 | 65 | 95 | 87 | 57,5 | 61 | 56,5 | 34 | 23 | 20 | 0,8 |
| DN 25 | 65 | 95 | 87 | 57,5 | 61 | 56,5 | 50,5 | 29 | 26 | 0,8 |

Remarks: Clamp ferrules according to DIN 32676-A. Tube weld (ETO) according to DIN 11866-A (DIN 11850-2).

DIMENSIONS – ISO (mm)

| SIZE | A1 | A2 | B | C | D | E | ØG | ØH | ØI | WEIGHT (kg) |
|-------|----|----|----|------|----|------|------|------|------|-------------|
| DN 08 | 65 | 95 | 87 | 57,5 | 61 | 56,5 | 25 | 13,5 | 10,3 | 0,7 |
| DN 10 | 65 | 95 | 87 | 57,5 | 61 | 56,5 | 25 | 17,2 | 14 | 0,7 |
| DN 15 | 65 | 95 | 87 | 57,5 | 61 | 56,5 | 50,5 | 21,3 | 18,1 | 0,8 |
| DN 20 | 65 | 95 | 87 | 57,5 | 61 | 56,5 | 50,5 | 26,9 | 23,7 | 0,8 |
| DN 25 | 65 | 95 | 87 | 57,5 | 61 | 56,5 | 50,5 | 33,7 | 29,7 | 0,7 |

Remarks: Clamp ferrules according to DIN 32676-B. Tube weld (ETO) according to DIN 11866-B (ISO 1127).

MATERIALS

| POS. N° | DESIGNATION | MATERIAL |
|---------|--------------|----------------------------------|
| 1 | Body | AISI 316L / 1.4404 |
| 2 | Cover | AISI 316L / 1.4404 |
| 3 | * Thermostat | AISI 316L / 1.4404 |
| 4 | * Gasket | ** Glass microsphere filled PTFE |
| 5 | Safety clamp | AISI 316 / 1.4401 |

* Available spare parts. ** Others on request.

Remark: FDA / USP Class VI seals certificate on request.

