

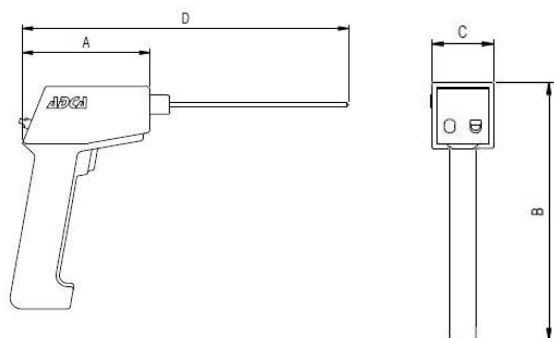
ULTRASONIC TRAP TESTER UTT – 100

The UTT – Ultrasonic Trap Tester is a battery powered instrument that gives visible and audible indication of ultrasonic frequencies. It provides easy, accurate leak detection and mechanical inspection through advanced ultrasonic technology.

Before you begin testing, it is advisable to familiarize yourself with the basic components of your kit.

The UTT-100 consists of 3 main components:

- 1 – Pistol housing
- 2 – Contact (Stethoscope) module
- 3 – Headset



DIMENSIONS (mm)				
A	B	C	ØD	WGT. (kg)
114	200	48	292	1

SPECIFICATIONS	
Construction	Hand held ABS pistol type ultrasonic processor, stainless steel sensor enclosures
Circuitry	SMD/Solid State hybrid heterodyne receiver
Frequency Range	35 to 45 kHz
Indicator	10 segment LED bargraph (red)
Sensitivity Selection	8 position precision attenuation
Power	9 Volt Alkaline Battery
Low Battery Voltage Indicator	LED
Headset	Noise isolating type: double headset wired monophonic impedance; 16 ohms. Over 23 dB noise attenuation. Meets or exceeds ANSI specification and OSHA standards.
Transmitter	Patented warble tone transmission
Response Time	300 m. sec.
Ambient Operating Temperature Range	0° to 50°C
Relative Humidity	10 - 95% non condensing at up to 30°C
Storage Temperature	-18° to 54°C
Stethoscope (contact) module	Stainless steel plugin type with 140 mm stainless steel wave guide
Carrying case	Nylon cordura soft carrying case with die cut foam
Warranty	One year, parts/labour, excluding abuse (details available on request)