

TWO-WAY ASEPTIC CONTROL VALVES V926A

DESCRIPTION

The ADCAPure V926A is a series of single seated two-way aseptic control valves with angle connections.

These valves are designed to regulate and accurately control flow of liquids and gases and are suitable for high purity applications found in the pharmaceutical, cosmetic, fine chemical and food & beverage industries.

The V926A can be assembled with pneumatic, hydraulic or electric actuators, for modulating and shut-off control tasks.

MAIN FEATURES

- Completely manufactured from bar stock material.
- Body and bonnet are connected by a clamp connection, allowing fast and easy maintenance procedures.
- High-performance EPDM diaphragm stem sealing.
- Cavity-free with no air trap locations.
- Metal to metal or soft sealing.
- Self-drainable design.

STANDARD SURFACE FINISH

- Internal wetted parts: $\leq 0,51$ micron Ra – SF1.
- External : $\leq 0,76$ micron Ra – SF3.
- Other surface conditions see IS PV20.00 E – Technical information.
- Ultrasonic cleaning.

- OPTIONS:
- Soft valve sealing.
 - Reduced bore trims.
 - Heating chamber.
 - Inline connections.

- USE:
- Saturated steam, hot and superheated water.
 - Process fluids, liquids, air and gases compatible with the construction.

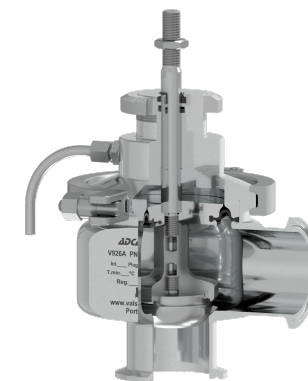
- AVAILABLE MODELS:
- V926A.

- SIZES:
- 1/2" to 2".

- CONNECTIONS:
- ASME BPE clamp ferrules or tube weld (ETO) ends. Others on request.

- PACKAGING:
- Assembling and packaging in a clean room certified according to ISO 14644-1.
 - The product is end capped and sealed with recyclable thermo-shrinkable plastic film, to avoid contamination.

- INSTALLATION:
- Horizontal installation. Vertical inlet and horizontal outlet. See IMI – Installation and maintenance instructions.





LIMITING CONDITIONS *	
Valve model	V926A
Body design conditions	PN 16
Maximum operating pressure	13 bar @ 38°C
Maximum operating steam pressure	6 bar
Max. operating temp. (steam and water)	170 °C
Maximum operating temperature (air)	150 °C
Minimum operating temperature	- 10 °C

* Higher and lower limits on request.

CE MARKING – GROUP 2 (PED – European Directive)	
PN 16	Category
1/2" to 2"	SEP

PLUG DESIGN

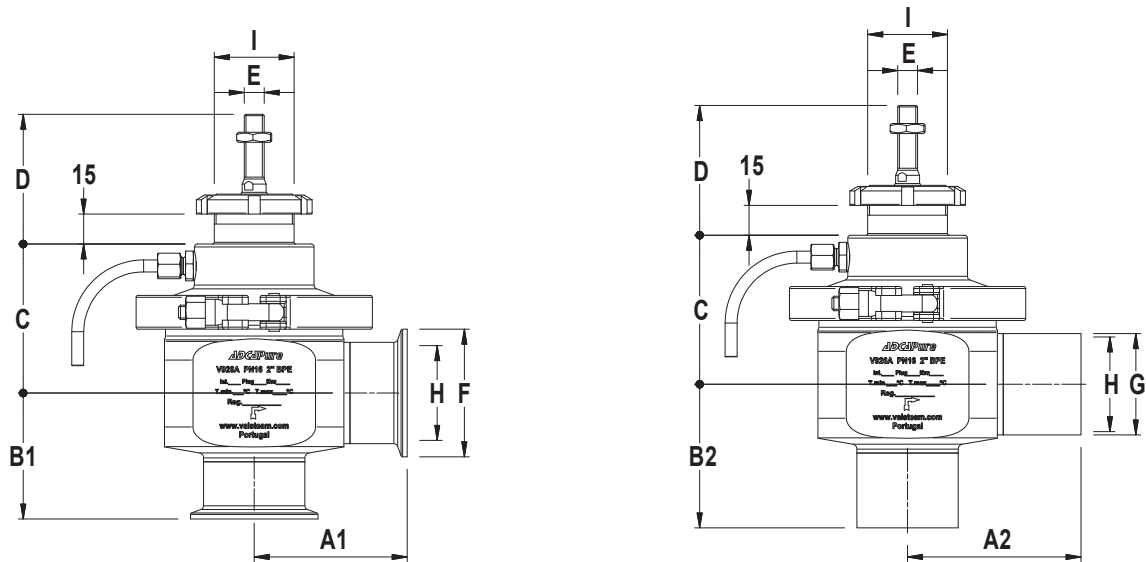
PARABOLIC		PARABOLIC (SOFT SEALING)	
	Sealing: Metal to metal Characteristic: Equal percentage (EQP), linear (PL) or quick-opening (On/Off) Flow direction: From below Rangeability: 50:1 (EQP), 30:1 (PL) or 10:1 (On/Off) Leakage: Class IV, acc. to IEC 60534-4		Sealing: EPDM Characteristic: Equal percentage (EQP), linear (PL) or quick-opening (On/Off) Flow direction: From below Rangeability: 50:1 (EQP), 30:1 (PL) or 10:1 (On/Off) Leakage: Class VI, acc. to IEC 60534-4

FLOW RATE COEFFICIENTS – PARABOLIC PL AND EQP PLUGS

SIZE	Kvs (m³/h)													
	0,1 *	0,25 *	0,5 *	1	1,5	2	2,3	2,9	4	6,3	10	16	25	40
1/2"	•	•	•	•	•	•								
3/4"							•	•	•					
1"							•	•	•	•				
1 1/2"									•	•	•	•		
2"											•	•	•	•
SEAT Ø (mm)	4			8			12		15	19.2	25	32	38	47
STROKE (mm)	7,5						15							

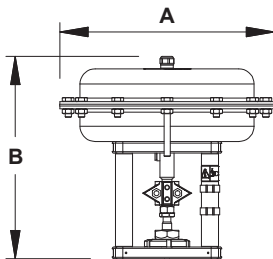
* Microflow only available with linear characteristic.
 For conversion $Kvs = Cv (US) \times 0,865$.

DIMENSIONS



DIMENSIONS (mm)					
DIMENSION	SIZE				
	1/2"	3/4"	1"	1 1/2"	2"
A1	61	61	61	77	77
A2	66	66	66	85	87
B1	41	46	49	62	63
B2	41	46	49	70	72
C	54	56	58	68	75
D	65				
E	M10 x 1,5				
F	25	25	50,5	50,5	64
G	12,7	19,1	25,4	38,1	50,8
H	9,4	15,8	22,1	34,8	47,5
I	M40 x 1,5				
WEIGHT (kg)	2	2,1	2,3	3,8	4,3

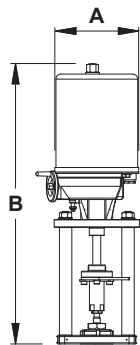
Remarks: Face to face dimensions are not standardized. Different dimensions available on request.



PA SERIES PNEUMATIC ACTUATORS

DIMENSIONS (mm)			
DIMENSION	PA10	PA206	PA281
A	170	209	275
B	251	236	243
WEIGHT (kg)	6,3	6,2	9,6

* For actuators with spring ranges 1 - 2 bar; 1,5 - 3 bar and 2 - 4 bar.
For more information, please consult IS 3.05 – PA Linear pneumatic actuators.



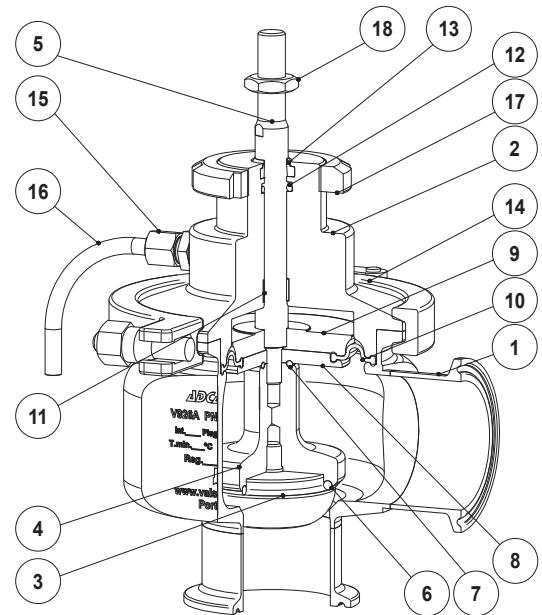
EL SERIES ELECTRIC ACTUATORS

DIMENSIONS (mm)		
DIMENSION	EL12	EL20 – EL45
A	129	148
B	333	485
WEIGHT (kg)	2,1	8

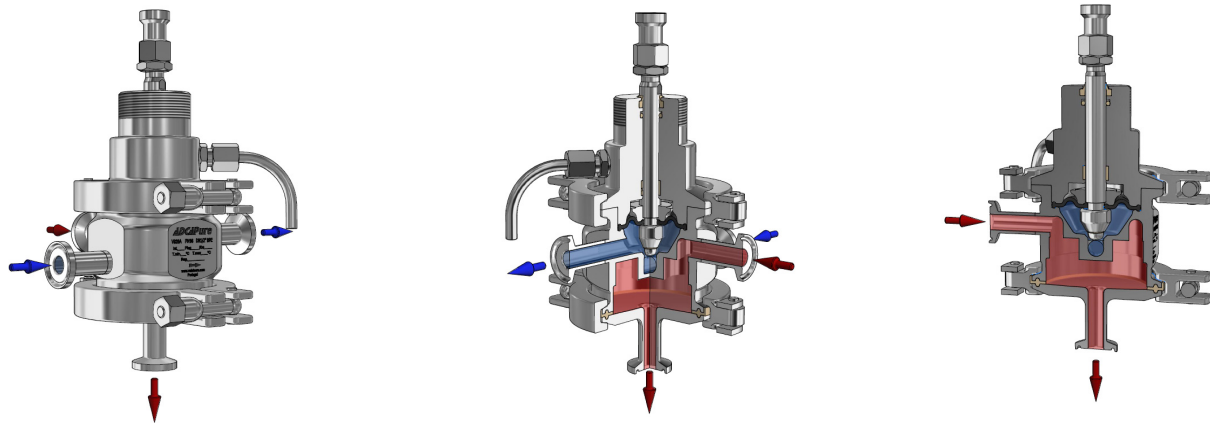
For more information, please consult IS 3.72 – EL Linear electric actuators.

MATERIALS

POS. N°	DESIGNATION	MATERIAL
1	Valve body	AISI 316L / 1.4404
2	Bonnet	AISI 316L / 1.4404
3	* Valve plug	AISI 316L / 1.4404
4	* Plug disc	AISI 316L / 1.4404
5	* Stem	AISI 316L / 1.4404
6	* Valve plug seal	** EPDM
7	* O-ring	*** EPDM
8	Lower diaphragm plate	*** AISI 316L / 1.4404
9	Upper diaphragm plate	AISI 316L / 1.4404
10	* Diaphragm	EPDM
11	* Guide bushing	PTFE
12	* O-ring	EPDM
13	* Scraper ring	FPM; NBR
14	Clamp	AISI 316 / 1.4401
15	Compression fitting	AISI 304 / 1.4301
16	Discharge pipe	AISI 316 / 1.4401
17	Lock nut	CF8 / 1.4308
18	Lock nut	AISI 304 / 1.4301



* Available spare parts; ** Others on request. *** Sizes 1 1/2" and 2" only.
 Remarks: FDA / USP Class VI seals certificate on request.
 All valves have a serial number. In case of non-standard valves, this number must be supplied if spare parts are ordered.



*Optional heating chamber
 (to maintain the required temperature of the fluid flowing through the valve)*

ORDERING CODES V926A a)													
Valve model	V9A	1	S	U	E	M	E	FD	X	XD	015		
V926A - AISI 316L / 1.4404 aseptic control valve, two-way, angle body	V9A												
Valve series													
Series 1		1											
Bonnet design													
Standard			S										
With heating chamber			H										
Flow direction													
Flow under the plug				U									
Stem and body sealing													
EPDM					E								
Valve sealing													
Metal to metal (class IV)						M							
Soft sealed with EPDM (class VI)						E							
Characteristic													
Equal percentage (EQP)								E					
Linear (PL)								L					
Quick-opening (On/Off)								Q					
Flow rate coefficient													
Kvs 4										FD			
See table below for other Kvs value codes													
Surface finish b)													
Standard surface finish												X	
Mirror mechanical polished external surfaces (SF1)													P
Electropolished internal wetted parts (SF5)													E
Pipe connection													
Clamp ferrule ASME BPE													DX
Tube weld (ETO) according to ASME BPE													DI
Size													
1/2"													015
3/4"													020
...													
Special valves / Extras													
Full description or additional codes have to be added in case of a non-standard combination													E

a) Codification for valve only. For actuator codes, refer to the appropriate information sheet.

b) Consult IS PV20.00 for further details and other surface finish options.

FLOW RATE COEFFICIENT CODES															
Kvs	0,1	0,25	0,5	1	1,5	2	2,3	2,9	4	6,3	10	16	25	40	
Code	M4	M2	M1	R4	R3	R2	R1	R0	FD	FE	FF	FG	FH	FI	