

## SANITARY PRESSURE REDUCING VALVES P130J

### DESCRIPTION

The ADCAPure P130J is a series of direct acting, diaphragm sensing, balanced plug pressure reducing valves.

These regulators, available with spring or dome-loading, are designed for use with clean air, nitrogen, carbon dioxide, oxygen, argon and other gases or liquids compatible with the construction materials and valve design.

Specifically designed for the high purity gas systems found in the pharmaceutical, cosmetic, fine chemical and food & beverage processes.

### MAIN FEATURES

Compact design.

Non-rising adjustment knob.

FDA / USP Class VI compliant seals.

Completely machined from 316L stainless steel bar stock, no castings or forgings are used.

### STANDARD SURFACE FINISH

Internal wetted parts:  $\leq 0,51$  micron Ra – SF1.

External:  $\leq 0,76$  micron Ra – SF3.

Other surface conditions see IS PV20.00 E – Technical information.

Ultrasonic cleaning.

### OPTIONS:

- Self relieving.
- Leakage line connection.
- Panel mounting.
- Dome-loading.
- Top cap (adjustment screw with cover).
- Gauge connection on body.
- Wall mounting.
- Different soft sealings for liquids and gases.
- Degreased for oxygen application.

### USE:

Clean air, nitrogen, carbon dioxide, oxygen, argon and other gases or liquids compatible with the construction.

### AVAILABLE MODELS:

P130J.

### SIZES:

1/2" to 1"; DN 08 to DN 25.

### REGULATING RANGES:

0,2 to 1,5 bar; 0,3 to 3 bar; 2 to 8 bar.

### CONNECTIONS:

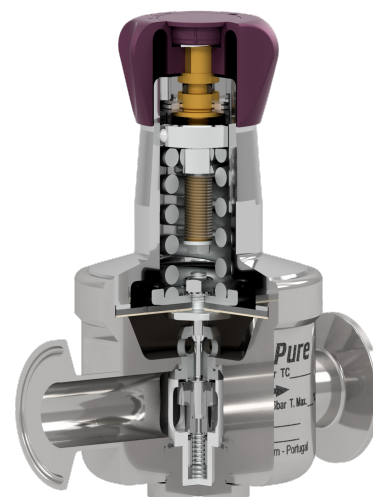
ASME BPE, DIN and ISO clamp ferrules or tube weld (ETO) ends. Others on request.

### PACKAGING:

Assembling and packaging in a clean room certified according to ISO 14644-1.  
The product is end capped and sealed with recyclable thermo-shrinkable plastic film, to avoid contamination.

### INSTALLATION:

Horizontal installation is recommended.  
See IMI – Installation and maintenance instructions.



LIMITING CONDITIONS	
<b>Valve model</b>	<b>P130J</b>
Body design conditions	PN 16
Maximum upstream pressure	16 bar
Maximum downstream pressure	8 bar
Minimum downstream pressure	0,2 bar
Maximum design temperature *	150 °C

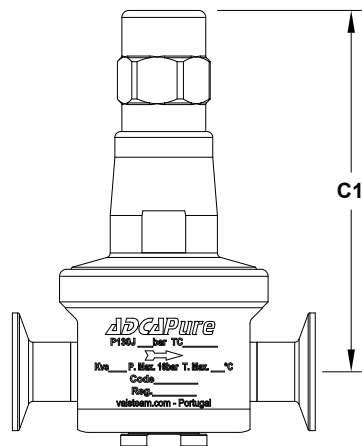
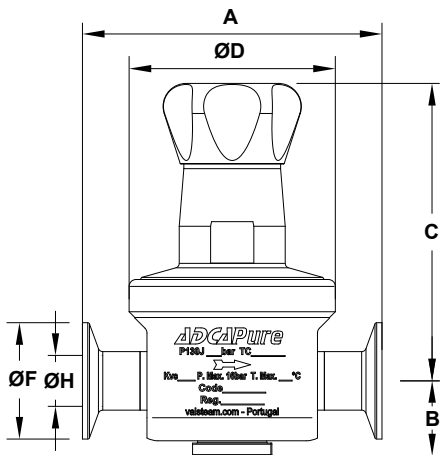
\* Others on request.

CE MARKING – GROUP 2 (PED – European Directive)	
<b>PN 16</b>	<b>Category</b>
All sizes	SEP

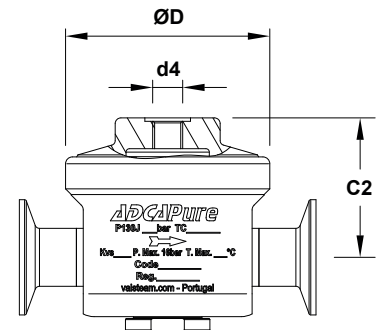
FLOW RATE COEFFICIENTS (m³/h)									
	ASME BPE			DIN			ISO		
SIZE	1/2"	3/4" to 1"		DN 10	DN 15 to DN 25		DN 08	DN 10 to DN 20	
Kvs	1,7	1,7	2,4	1,7	1,7	2,4	1,7	1,7	2,4

OPTIONS					
LEAKAGE LINE CONNECTION	PANEL MOUNTING	DOME-LOADING	TOP CAP	PRESSURE GAUGE CONNECTION	WALL MOUNTING

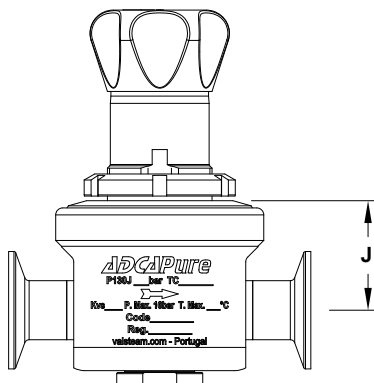
### DIMENSIONS



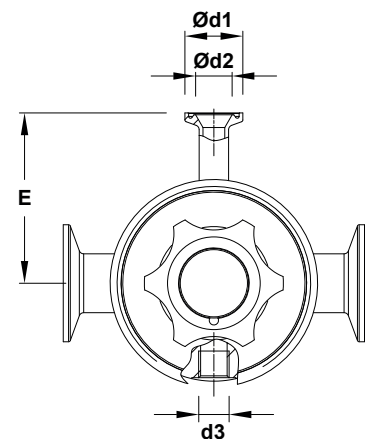
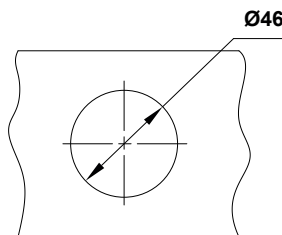
Optional top cap



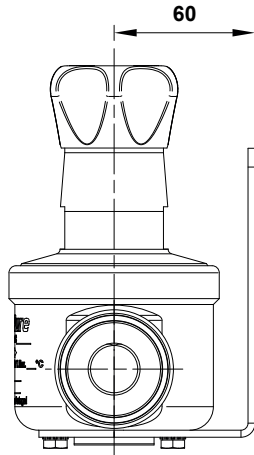
Optional dome-loading



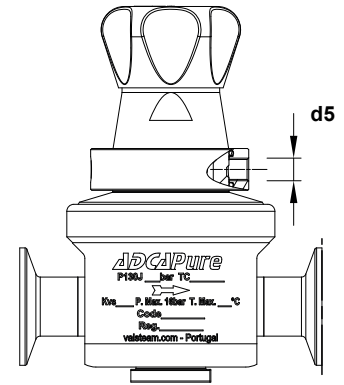
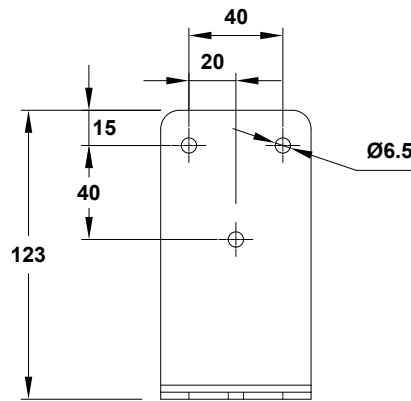
Optional panel mounting



Optional gauge connection



Optional wall mounting



Optional leakage line connection

**DIMENSIONS – ASME BPE (mm)**

SIZE	A	B	C	C1	C2	ØD	Ød1	Ød2	d3	d4	d5	E	ØF	ØH	J	WGT. (kg) *
1/2"	130	32	129	155	61,1	90	25	15,75	1/4"	1/4"	1/8"	73,5	25	9,4	47,1	3,4
3/4"	130	32	129	155	61,1	90	25	15,75	1/4"	1/4"	1/8"	73,5	25	15,75	47,1	3,4
1"	130	32	129	155	61,1	90	25	15,75	1/4"	1/4"	1/8"	73,5	50,5	22,1	47,1	3,4

\* Valves with nylon adjustment knob weigh 0,3 kg less.

**DIMENSIONS – DIN (mm)**

SIZE	A	B	C	C1	C2	ØD	Ød1	Ød2	d3	d4	d5	E	ØF	ØH	J	WGT. (kg) *
DN 10	120	32	129	155	61,1	90	25	15,75	1/4"	1/4"	1/8"	73,5	34	10	47,1	3,4
DN 15	120	32	129	155	61,1	90	25	15,75	1/4"	1/4"	1/8"	73,5	34	16	47,1	3,3
DN 20	120	32	129	155	61,1	90	25	15,75	1/4"	1/4"	1/8"	73,5	34	20	47,1	3,3
DN 25	120	32	129	155	61,1	90	25	15,75	1/4"	1/4"	1/8"	73,5	50,5	26	47,1	3,3

\* Valves with nylon adjustment knob weigh 0,3 kg less.

Remarks: Clamp ferrules according to DIN 32676-A. Tube weld (ETO) according to DIN 11866-A (DIN 11850-2).

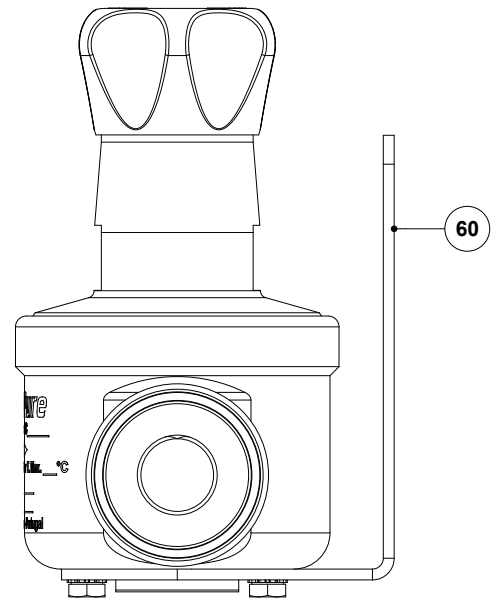
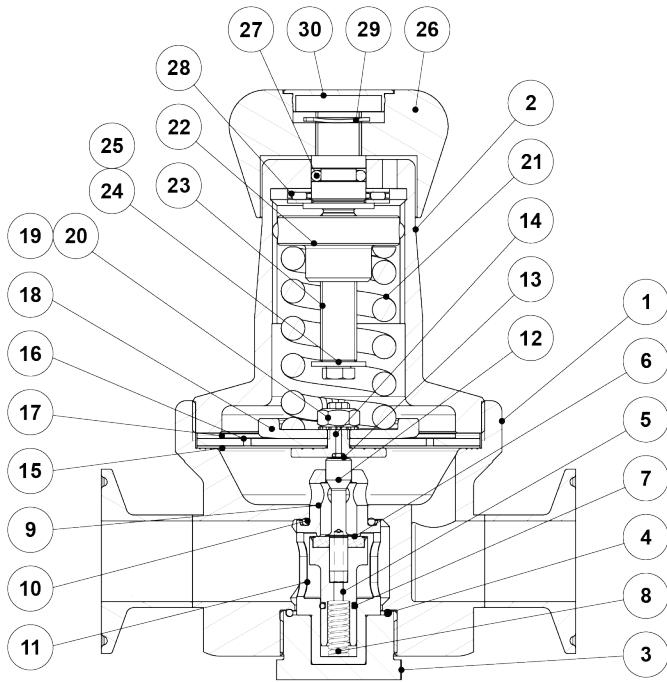
**DIMENSIONS – ISO (mm)**

SIZE	A	B	C	C1	C2	ØD	Ød1	Ød2	d3	d4	d5	E	ØF	ØH	J	WGT. (kg) *
DN 08	120	32	129	155	61,1	90	25	15,75	1/4"	1/4"	1/8"	73,5	25	10,3	47,1	3,4
DN 10	120	32	129	155	61,1	90	25	15,75	1/4"	1/4"	1/8"	73,5	25	14	47,1	3,4
DN 15	120	32	129	155	61,1	90	25	15,75	1/4"	1/4"	1/8"	73,5	50,5	18,1	47,1	3,4
DN 20	120	32	129	155	61,1	90	25	15,75	1/4"	1/4"	1/8"	73,5	50,5	27,7	47,1	3,3

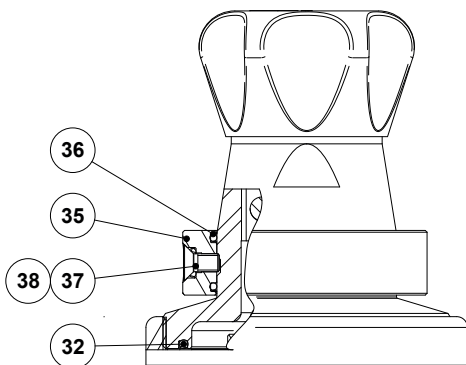
\* Valves with nylon adjustment knob weigh 0,3 kg less.

Remarks: Clamp ferrules according to DIN 32676-B. Tube weld (ETO) according to DIN 11866-B (ISO 1127).

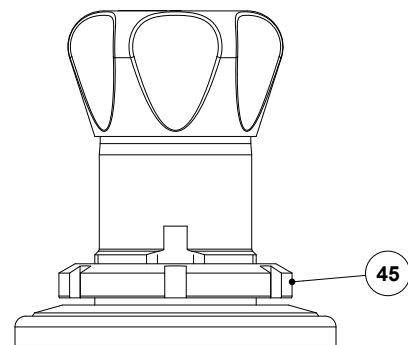
**MATERIALS**



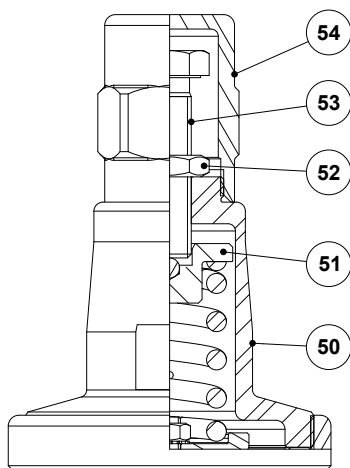
*Optional wall mounting*



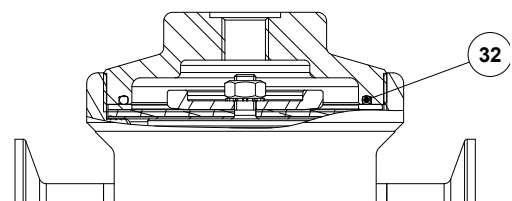
*Optional leakage line connection*



*Optional panel mounting*



*Optional top cap*



*Optional dome-loading*

**MATERIALS**

POS. N°	DESIGNATION	MATERIAL
1	Valve body	AISI 316L / 1.4404
2	Cover	AISI 316L / 1.4404
3	Bottom cover	AISI 316L / 1.4404
4	* O-ring	** EPDM
5	* Piston	AISI 316L / 1.4404
6	* Valve head	** EPDM; PTFE; FPM
7	* O-ring	** EPDM
8	* Valve spring	AISI 316 / 1.4401 electropolished
9	* Seat	AISI 316L / 1.4404
10	* O-ring	** EPDM
11	Guide	AISI 316L / 1.4404
12	* Stem	AISI 316L / 1.4404
13	* O-ring a)	** EPDM
14	* Pusher disk	AISI 316L / 1.4404
15	* Lower diaphragm	PTFE (Gylon)
16	* Upper diaphragm	EPDM
17	Washer	AISI 304 / 1.4301
18	* Plate	AISI 316 / 1.4401
19	* Nut	AISI 304 / 1.4301
20	* Serrated washer	AISI 304 / 1.4301
21	* Adjustment spring	AISI 302 / 1.4300
22	Spring guide	AISI 316 / 1.4401
23	Adjustment screw	Brass
24	Washer	Stainless steel A2
25	Bolt	Stainless steel A2-70
26	Adjustment knob	AISI 316L / 1.4404 or Nylon
27	O-ring	NBR
28	Bearing	Corrosion resistant steel
29	Shaft ring	Stainless steel
30	Cover nut	Plastic
32	* O-ring	EPDM
35	Leakage line ring	AISI 316 / 1.4401
36	O-ring	NBR
37	Bolt	AISI 304 / 1.4301
38	O-ring	FPM
45	Lock nut	CF8M / 1.4408
50	Cover	AISI 316L / 1.4404
51	Spring guide	Brass
52	Lock nut	Stainless steel A2-70
53	Adjustment screw	Stainless steel A2-70
54	Top cap	AISI 316L / 1.4404
60	Support plate	AISI 316L / 1.4404

\* Available spare parts. \*\* Others on request.

a) Only for versions with self-relieving option.

Remarks: FDA / USP Class VI seals certificate on request.

All valves have a serial number. In case of non-standard valves, this number must be supplied if spare parts are ordered.

ORDERING CODES P130J

Valve model	P3J	1	2	T	M	X	I	X	X	X	DI	25
P130J – AISI 316L / 1.4404 diaphragm sensing pressure reducing valve	P3J											
<b>Regulating range</b>												
0,2 to 1,5 bar		1										
0,3 to 3 bar		2										
2 to 8 bar		3										
0,2 to 8 bar (dome-loading) a)		A										
<b>Flow rate coefficient</b>												
Kvs 1,7		3										
Kvs 2,4 (not applicable to sizes 1/2" ASME BPE, DIN DN 10 and ISO DN 08)		5										
<b>Diaphragm</b>												
PTFE (Gylon)				T								
EPDM (non-standard)				E								
<b>Seat material</b>												
Metal to metal (non-standard)					M							
EPDM					E							
PTFE					T							
FPM / Viton (USP Class VI on request)					V							
<b>Relieving and leakage line connection</b>												
Non-relieving b)						X						
Non-relieving with leakage line connection – ISO 228 G 1/8"						N						
Non-relieving with leakage line connection – 1/8" NPT						C						
Relieving (only for non-dangerous gases)						R						
Relieving with leakage line connection – ISO 228 G 1/8"						L						
Relieving with leakage line connection – 1/8" NPT						M						
<b>Adjustment knob and top cap</b>												
Stainless steel adjustment knob							I					
Nylon adjustment knob							P					
Top cap (adjustment screw with cover)							T					
Dome-loading – ISO 228 G 1/4" b)							X					
Dome-loading – 1/4" NPT b)							C					
<b>Gauge ports</b>												
Without gauge ports								X				
Tri-clamp gauge port on the left side (rel. to the flow direction) – downstream pressure								7				
Tri-clamp gauge port on the right side (rel. to the flow direction) – downstream pressure								6				
Tri-clamp gauge port on both sides – downstream pressure								5				
Threaded gauge port on the left side (rel. to the flow direction) – downstream pressure – ISO 228 G 1/4"								4				
Threaded gauge port on the right side (rel. to the flow direction) – downstream pressure – ISO 228 G 1/4"								3				
Threaded gauge port on both sides – downstream pressure – ISO 228 G 1/4"								2				
Threaded gauge port on the left side (rel. to the flow direction) – downstream pressure – 1/4" NPT								W				
Threaded gauge port on the right side (rel. to the flow direction) – downstream pressure – 1/4" NPT								Y				
Threaded gauge port on both sides – downstream pressure – 1/4" NPT								Z				
<b>Surface finish c)</b>												
Standard surface finish										X		
Mirror mechanical polished external surfaces (SF1)										P		
Electropolished internal wetted parts (SF5)										E		
<b>Special features</b>												
None											X	
Degreased for oxygen											O	
<b>Pipe connection</b>												
Clamp ferrule ASME BPE												D
Clamp ferrule DIN (DIN 32676-A)												F
Clamp ferrule ISO (DIN 32676-B)												E
Tube weld (ETO) according to ASME BPE												DI
Tube weld (ETO) according to DIN 11866-A (DIN 11850-2)												FI
Tube weld (ETO) according to DIN 11866-B (ISO 1127)												EI
<b>Size</b>												
DN 08												08
DN 10												10
1/2" or DN 15												15
3/4" or DN 20												20
1" or DN 25												25
<b>Special valves / Extras</b>												
Full description or additional codes have to be added in case of non-standard combination												E

a) The loading control pressure can be up to a maximum of 1,2 bar above the required downstream pressure. b) Mandatory in case of dome-loading. c) Consult IS PV20.00 for further details and other surface finish options.